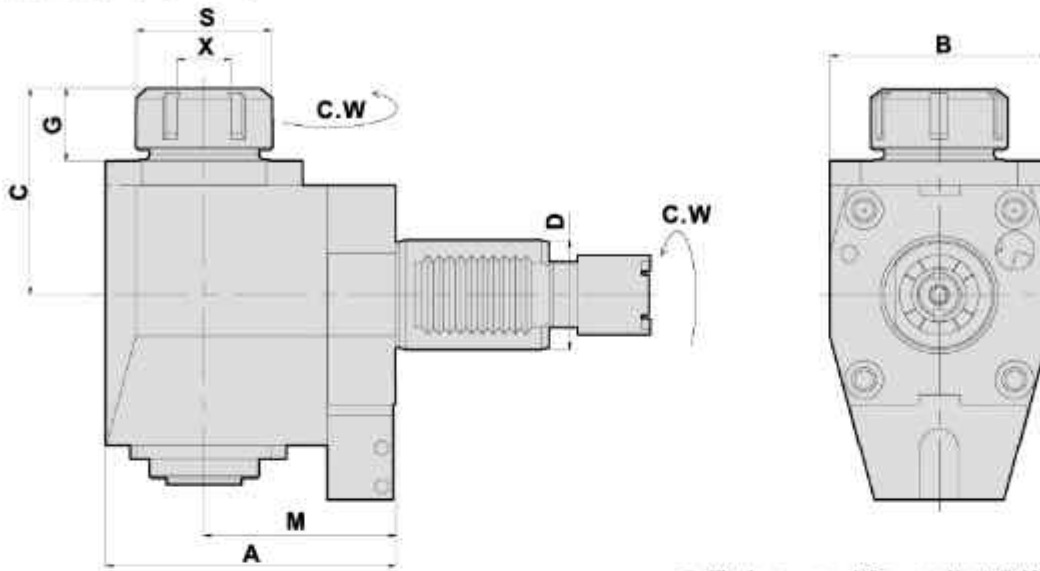


RADIAL MILLING AND DRILLING HEAD

TYPE OKUMA

徑向鑽銑刀座 (90°)



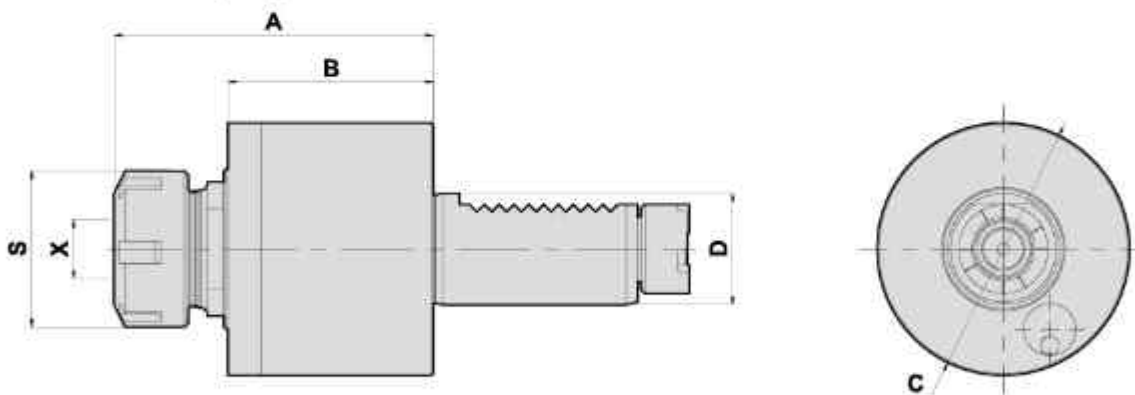
- To be used for collet DIN 6499
- External coolant supply
- Collet is not included

DIMENSIONS

Models	D	X Capacity	S	Maximum R.P.M.	A	B	C	G	M	Code No.	Order No.	(Kg) Weight
L300M	40	2-20 ER32	50	5000	106	80	85	26	70	240AHB-000	OK-FL40-32-70	6.4

AXIAL MILLING AND DRILLING HEAD

軸向鑽銑刀座 (0°)



- To be used for collet DIN 6499
- External coolant supply
- Collet is not included

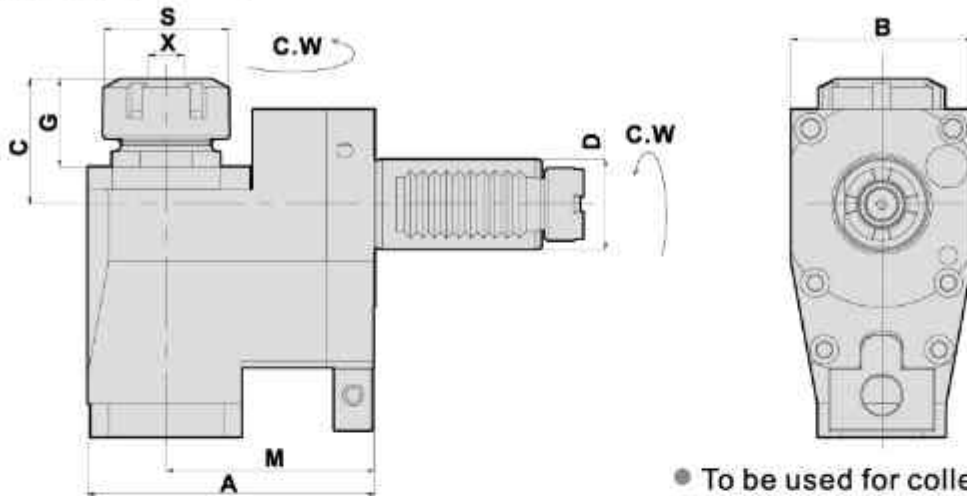
DIMENSIONS

Models	D	X Capacity	S	Maximum R.P.M.	A	B	C	Code No.	Order No.	(Kg) Weight
L200M	30	1-13 ER20	35	6000	86	57	68	130AHA-000	OK-DA30-ER20	1.9
L200M	30	1-16 ER25	42	6000	87	57	68	130AHB-000	OK-DA30-ER25	1.9
L300M	40	2-20 ER32	50	6000	93	56	86	140AHA-000	OK-DA40-ER32	3.1

RADIAL MILLING AND DRILLING HEAD OFFSET

TYPE OKUMA

徑向鑽銑刀座 (90°)

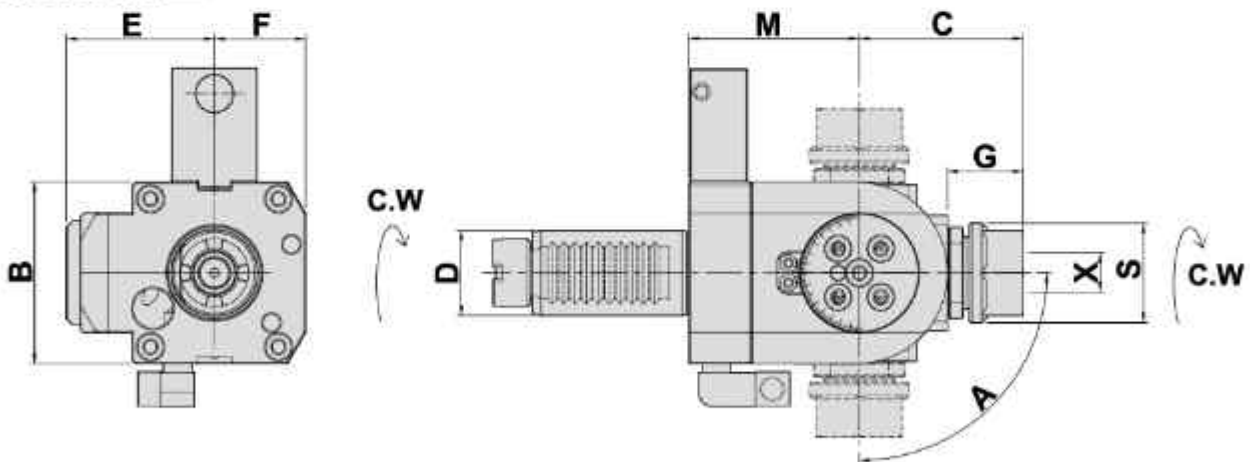


- To be used for collet DIN 6499
- External coolant supply
- Collet is not included

DIMENSIONS

Models	D	X Capacity	S	Maximum R.P.M.	A	B	C	G	M	Code No.	Order No.	(Kg) Weight
L200M	30	1-13 ER20	35	5000	95	64	43	30	69	230AHM-000	OK-BL30-20-69-N	3.8
L200M	30	1-16 ER25	42	5000	95	64	43	31	69	230AHK-000	OK-BL30-25-69-N	3.9
L300M	40	2-20 ER32	50	5000	124	80	43	33	90	240AHA-000	OK-BL40-32-90	8.5

ANGULAR HEAD 萬向鑽銑刀座



- To be used for collet DIN 6499
- External coolant supply
- Collet is not included

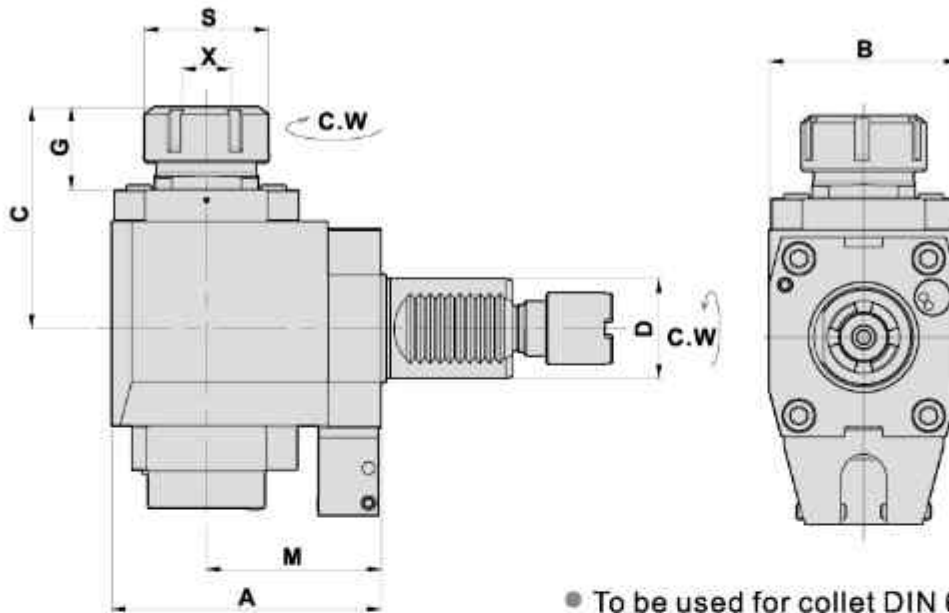
DIMENSIONS

Models	D	X Capacity	S	Maximum R.P.M.	A	B	C	E	F	G	M	Code No.	Order No.	(Kg) Weight
L200M	30	1-13 ER20	35	5000	± 90°	64	59	54	32	28	62	130AHC-000	OK-DA30-20B	3
L300M	40	1-16 ER25	42	5000	± 90°	76	65	65	38	30	70	140AHB-000	OK-DA40-25B	5.3

RADIAL MILLING AND DRILLING HEAD OFFSET

TYPE OKUMA

徑向鑽銑刀座 (90°)

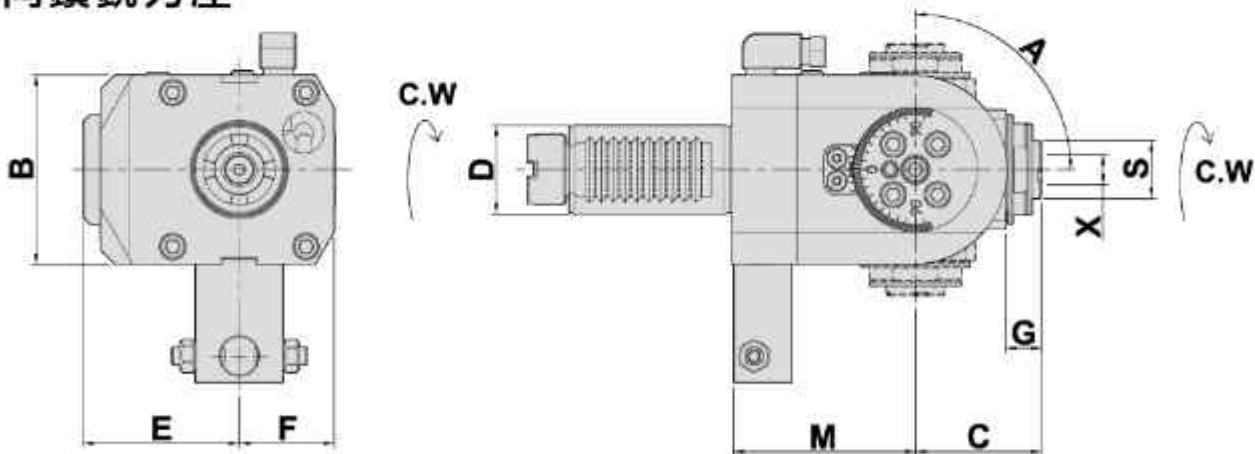


- To be used for collet DIN 6499
- Internal coolant supply: 50bar 中心出水
- Collet is not included

DIMENSIONS

Models	D	X Capacity	S	Maximum R.P.M.	A	B	C	G	M	Code No.	Order No.	(Kg) Weight
L300M	40	2-20 ER32	50	5000	108	76	89	34	70	240AHF-000	OK-CW-FL40-32-70	6.4

ANGULAR HEAD 萬向鑽銑刀座



- To be used for collet DIN 6499
- External coolant supply
- Collet is not included

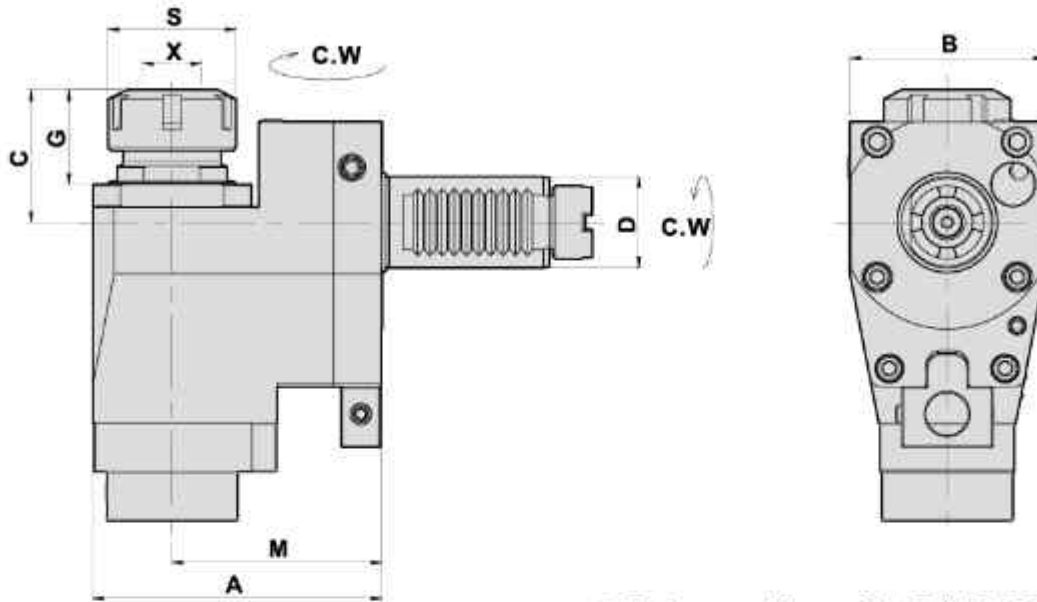
DIMENSIONS

Models	D	X Capacity	S	Maximum R.P.M.	A	B	C	E	F	G	M	Code No.	Order No.	(Kg) Weight
L200M	30	1-10 ER16A	19.5	5000	± 90°	64	43	53	32	12	62	130AHP-000	OK-DA30-16BAC	3

RADIAL MILLING AND DRILLING HEAD OFFSET

TYPE OKUMA

徑向鑽銑刀座 (90°)



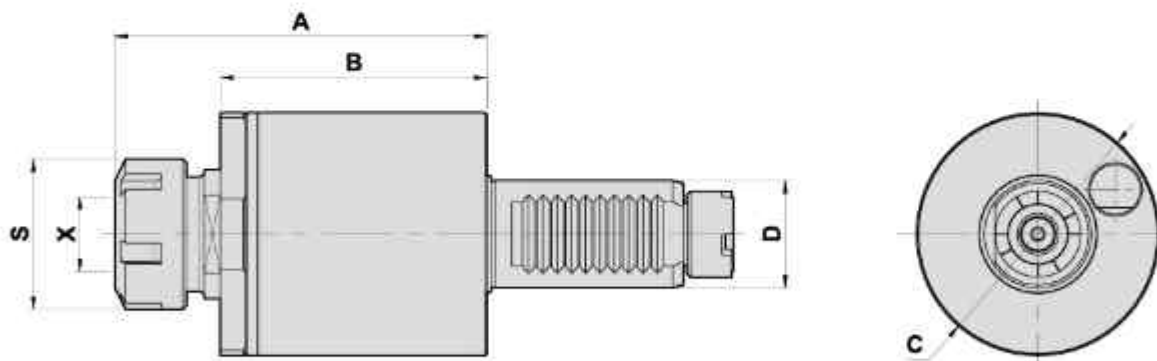
- To be used for collet DIN 6499
- Internal coolant supply: 50bar 中心出水
- Collet is not included

DIMENSIONS

Models	D	X Capacity	S	Maximum R.P.M.	A	B	C	G	M	Code No.	Order No.	(Kg) Weight
L200M	30	1-16 ER25	42	5000	95	64	43.5	31	69	230AHL-000	OK-CW-BL30-25-69	3.9

AXIAL MILLING AND DRILLING HEAD

軸向鑽銑刀座 (0°)



- To be used for collet DIN 6499
- Internal coolant supply: 15bar 中心出水
- Collet is not included

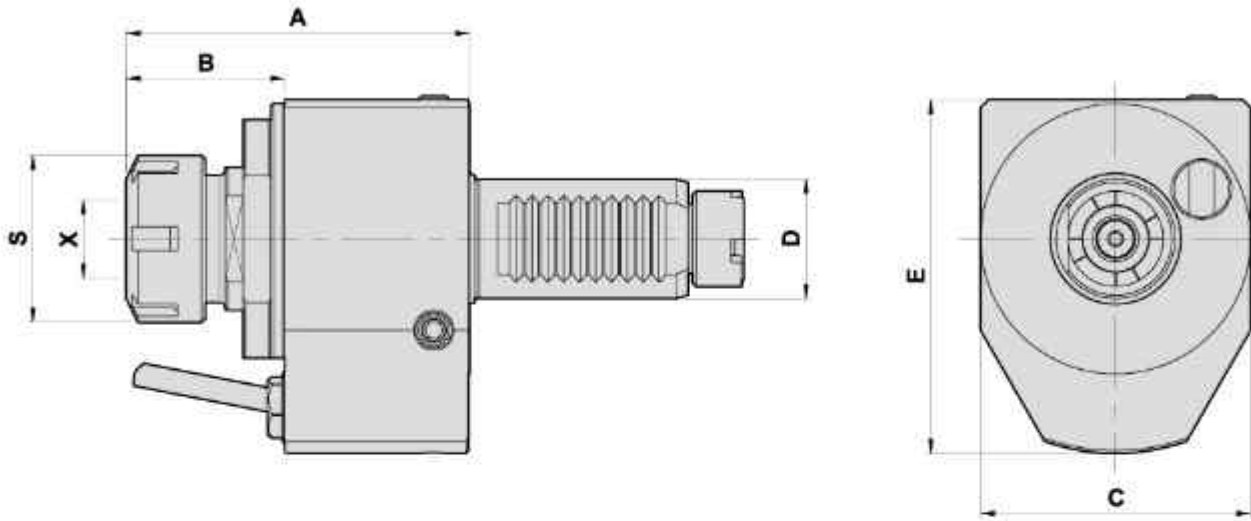
DIMENSIONS

Models	D	X Capacity	S	Maximum R.P.M.	A	B	C	Code No.	Order No.	(Kg) Weight
L200M	30	1-13 ER20	35	6000	104	74.5	68	130AHS-000	OK-CW-DA30-ER20	2.3
L200M	30	1-16 ER25	42	6000	104	74.5	68	130AHG-000	OK-CW-DA30-ER25	2.4
L300M	40	2-20 ER32	50	6000	129	84	68	140AHE-000	OK-CW-DA40-ER32	4.4

AXIAL MILLING AND DRILLING HEAD

TYPE OKUMA

軸向鑽銑刀座 (0°)-高壓出水



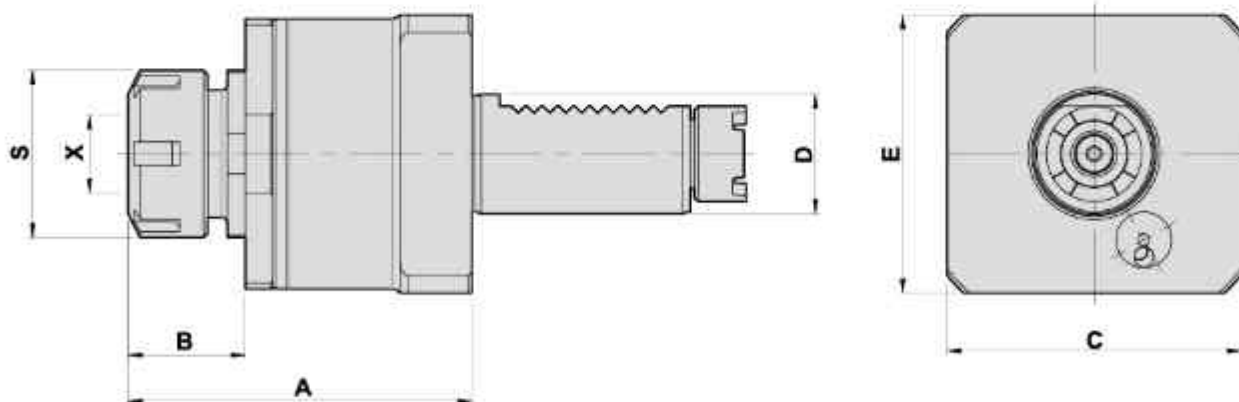
- To be used for collet DIN 6499
- External coolant supply (high pressure)
- Collet is not included

DIMENSIONS

Models	D	X Capacity	S	Maximum R.P.M.	A	B	C	E	Code No.	Order No.	(Kg) Weight
L200M	30	1-16 ER25	42	6000	86.5	30	68	89	130AHJ-000	OK-DA30-ER25-KT	2.6

AXIAL MILLING AND DRILLING HEAD

軸向鑽銑刀座 (0°)



- To be used for collet DIN 6499
- External coolant supply
- Collet is not included

DIMENSIONS

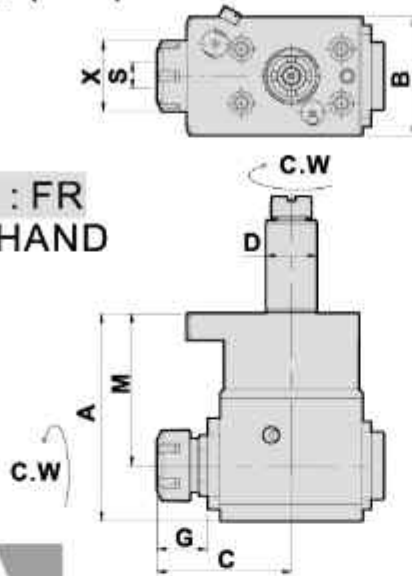
Models	D	X Capacity	S	Maximum R.P.M.	A	B	C	E	Code No.	Order No.	(Kg) Weight
LT200-MY	30	1-16 ER25	42	6000	88	31	74	70	130AHD-000	OK-LT-DA30-ER25	2.1

RADIAL MILLING AND DRILLING HEAD

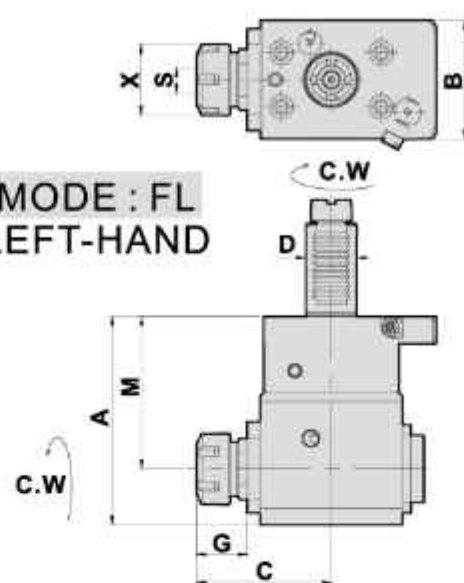
TYPE OKUMA

徑向鑽銑刀座 (90°)

MODE : FR
RIGHT-HAND



MODE : FL
LEFT-HAND

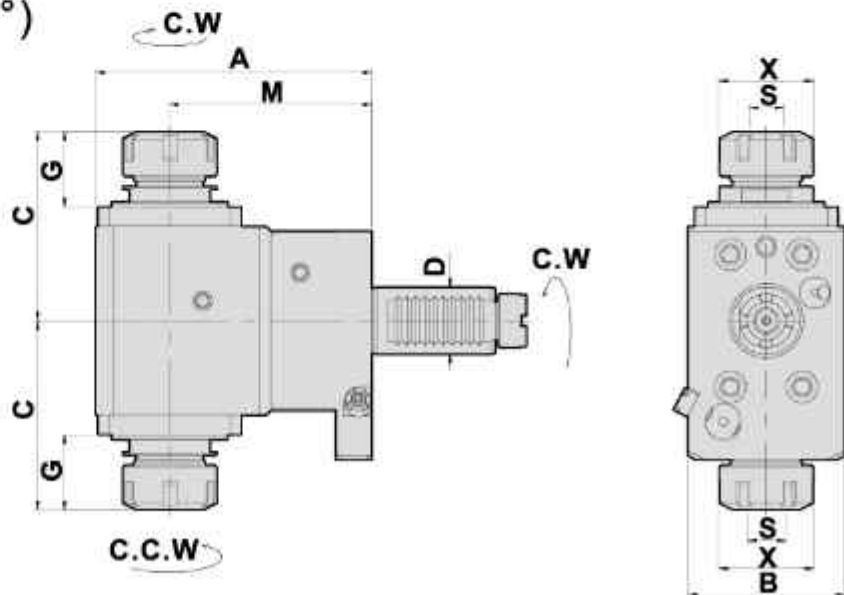


DIMENSIONS

Models	D	X Capacity	S	Maximum R.P.M.	A	B	C	G	M	Code No.	Order No.	(Kg) Weight
LT200-MY	30	1-13 ER20	35	5000	123	70	81	30	90	230AHI-000	OK-LT-FR30-20-90	4
LT200-MY	30	1-16 ER25	42	5000	123	70	81	30	90	230AHC-000	OK-LT-FR30-25-90	4
										230AHD-000	OK-LT-FL30-25-90	
LT200-MY	30	1-16 ER25	42	5000	130	70	83	32	100	230AHF-000	OK-LT-FR30-25-100	4.5
										230AHG-000	OK-LT-FL30-25-100	

RADIAL DRILLING AND MILLING HEAD DOUBLE HEADS

徑向雙頭鑽銑刀座 (90°)



- To be used for collet DIN 6499
- External coolant supply
- Collet is not included

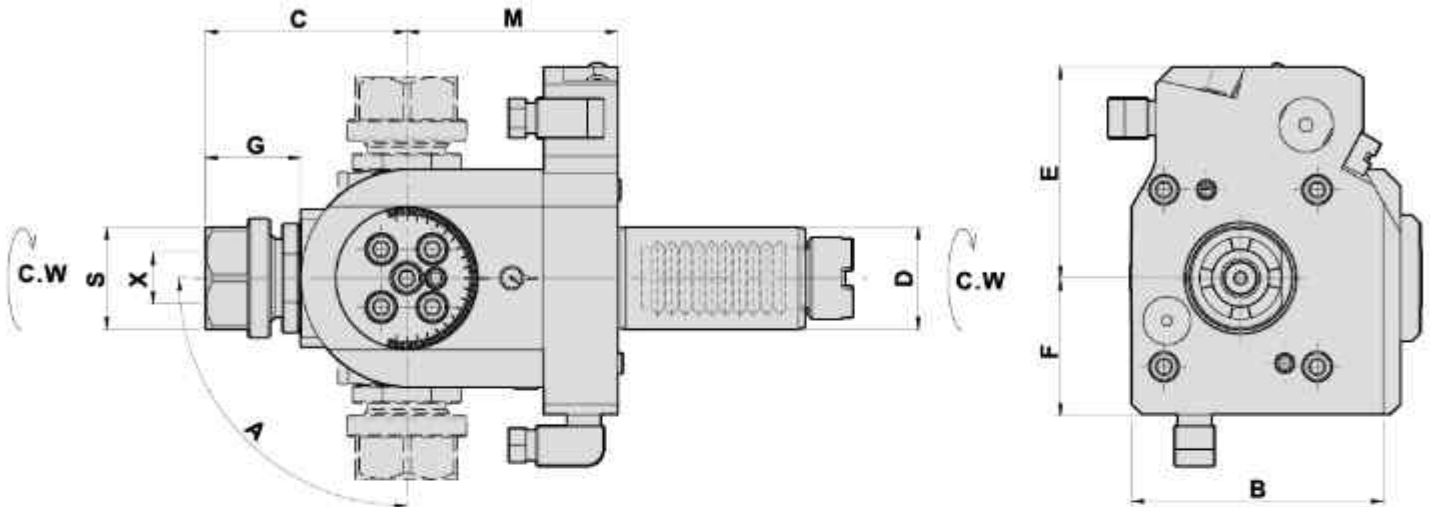
DIMENSIONS

Models	D	X Capacity	S	Maximum R.P.M.	A	B	C	G	M	Code No.	Order No.	(Kg) Weight
LT200-MY	30	1-16 ER25	42	5000	123	70	84	33.5	90	230AHE-000	OK-LT-FL30-25-90D	6

ANGULAR HEAD

TYPE OKUMA

萬向鑽銑刀座



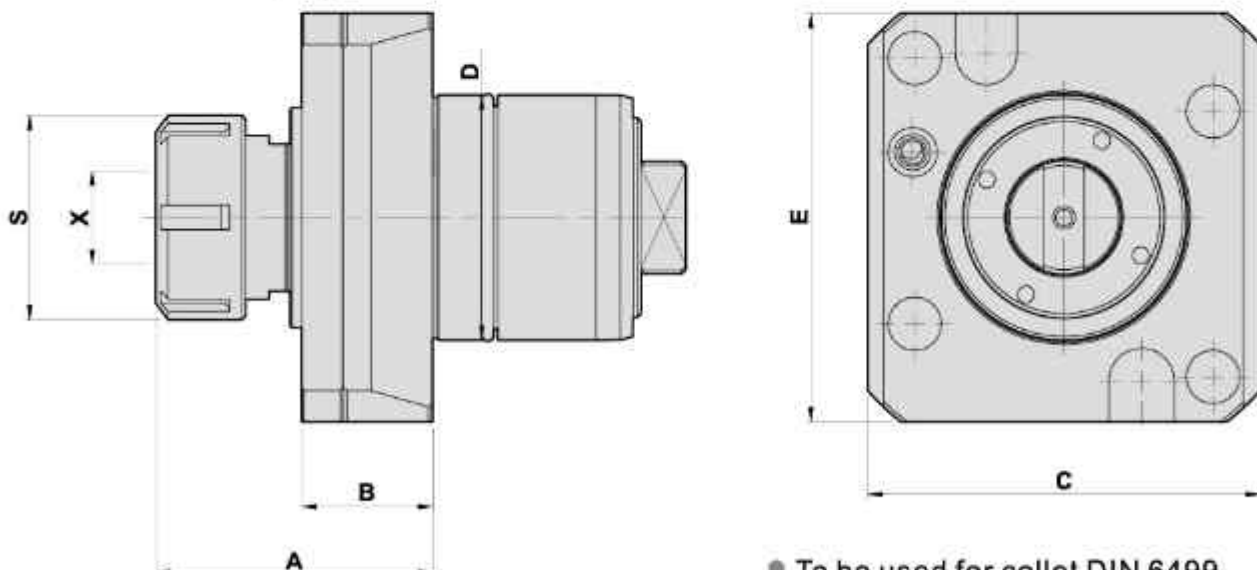
- To be used for collet DIN 6499
- External coolant supply
- Collet is not included

DIMENSIONS

Models	D	X Capacity	S	Maximum R.P.M.	A	B	C	E	F	G	M	Code No.	Order No.	(Kg) Weight
LT200-MY	30	1-13 ER20	35	5000	±90°	74	59	62	40	28	62	130AHE-000	OK-LT-DA30-20B	3.5

AXIAL MILLING AND DRILLING HEAD

軸向鑽銑刀座 (0°)



- To be used for collet DIN 6499
- External coolant supply
- Collet is not included

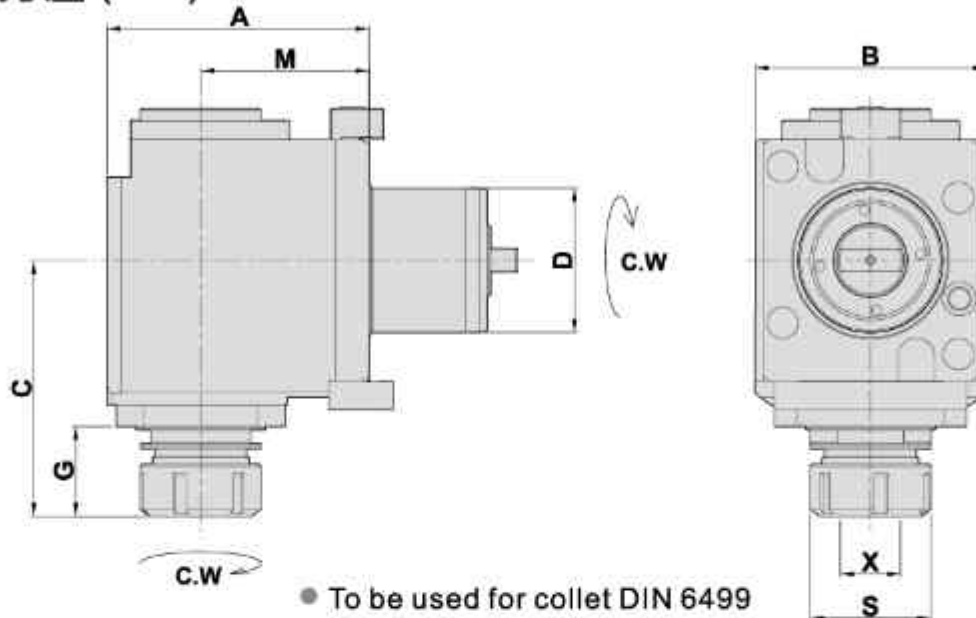
DIMENSIONS

Models	D	X Capacity	S	Maximum R.P.M.	A	B	C	E	Code No.	Order No.	(Kg) Weight
LB2000EX / LB3000EX / LU3000EX / L300MW V12	60	2-20 ER32	50	6000	71	36	96	100	1601HA-000	OK-EX-DA60-ER32	3.6

RADIAL MILLING AND DRILLING HEAD

TYPE OKUMA

徑向鑽銑刀座 (90°)



- To be used for collet DIN 6499
- External coolant supply
- Collet is not included

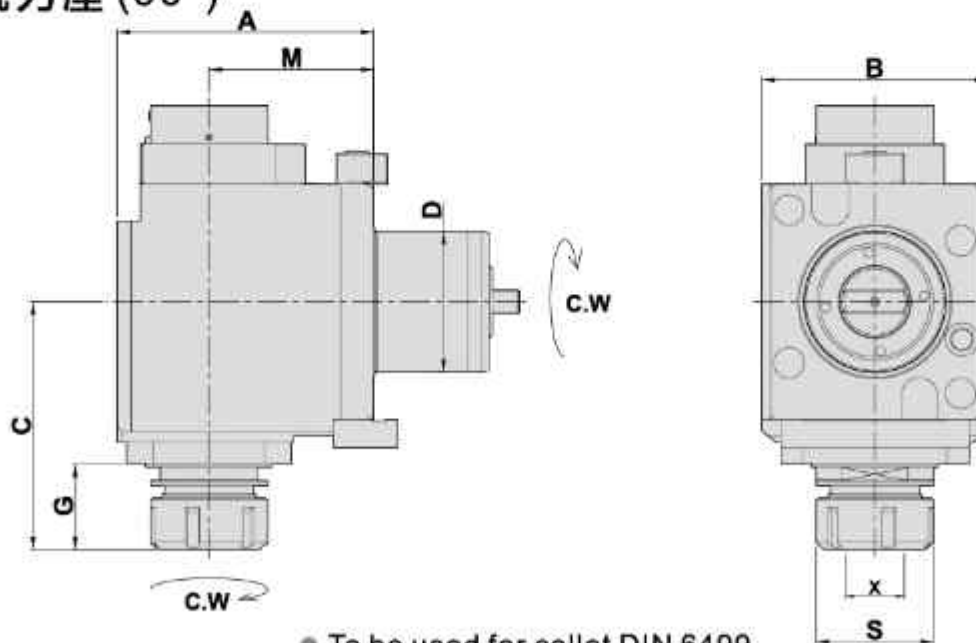
DIMENSIONS

Models	D	X Capacity	S	Maximum R.P.M.	A	B	C	G	M	Code No.	Order No.	(Kg) Weight
LB2000EX	60	2-20 ER32	50	5000	109	96	107	38	70	2601HA-000	OK-EX-DF60-32-70	9.1
/LB3000EX	60	2-20 ER32	50	5000	129	96	107	38	90	2601HM-000	OK-EX-DF60-32-90	11
/LU3000EX	60	2-20 ER32	50	4000	109	96	112	32	70	2601HF-000	*OK-EX-DF60-32-70-TA	9.7
/L300MW V12	60	2-20 ER32	50	4000	109	96	112	32	70	2601HF-000	*OK-EX-DF60-32-70-TA	9.7

*HEAVY CUTTING (重切削)

RADIAL MILLING AND DRILLING HEAD

徑向鑽銑刀座 (90°)



- To be used for collet DIN 6499
- Internal coolant supply: 50bar 中心出水
- Collet is not included

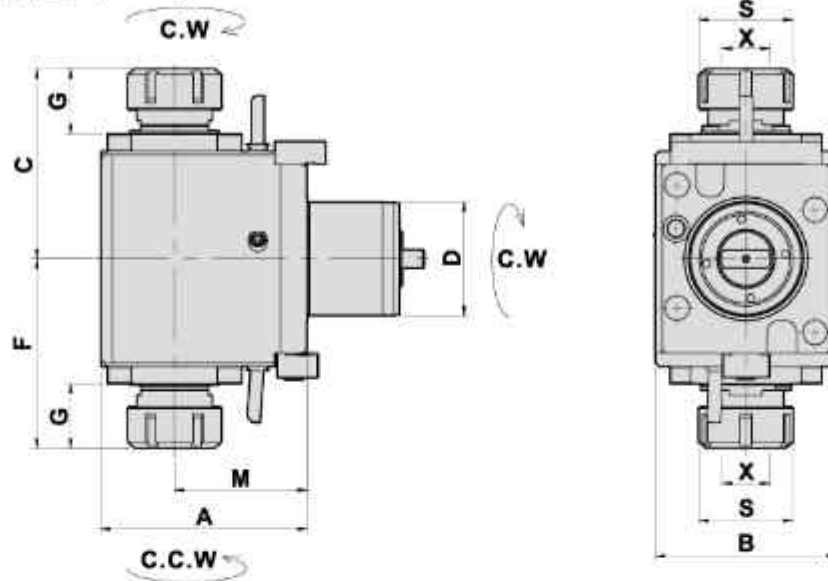
DIMENSIONS

Models	D	X Capacity	S	Maximum R.P.M.	A	B	C	G	M	Code No.	Order No.	(Kg) Weight
LB2000EX /LB3000EX /LU3000EX /L300MW V12	60	2-20 ER32	50	5000	109	96	105.5	36.5	70	2601HB-000	OK-EX-CW-DF60-32-70	9.8

RADIAL MILLING AND DRILLING HEAD DOUBLE HEADS

TYPE OKUMA

徑向雙頭鑽銑刀座 (90°)



- To be used for collet DIN 6499
- External coolant supply
- Collet is not included

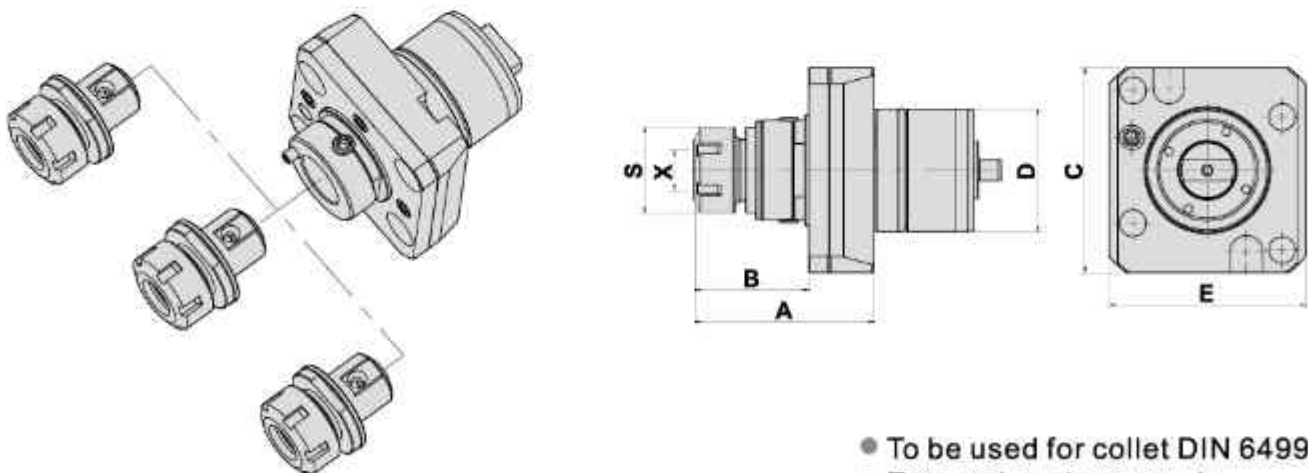
DIMENSIONS

Models	D	X Capacity	S	Maximum R.P.M.	A	B	C	F	G	M	Code No.	Order No.	(Kg) Weight
LB2000EX / LB3000EX / LU3000EX / L300MW V12	60	2-20 ER32	50	5000	109	96	101	100	35	70	2601HC-000	OK-EX-DF60-32-70D	6.8
	60	2-20 ER32	50	5000	129	96	101	100	35	90	2601HQ-000	OK-EX-DF60-32-90D	11.4

AXIAL MILLING AND DRILLING HEAD

Quick-chang Clamping System

軸向快換鑽銑刀座 (0°)



- To be used for collet DIN 6499
- External coolant supply
- Collet is not included

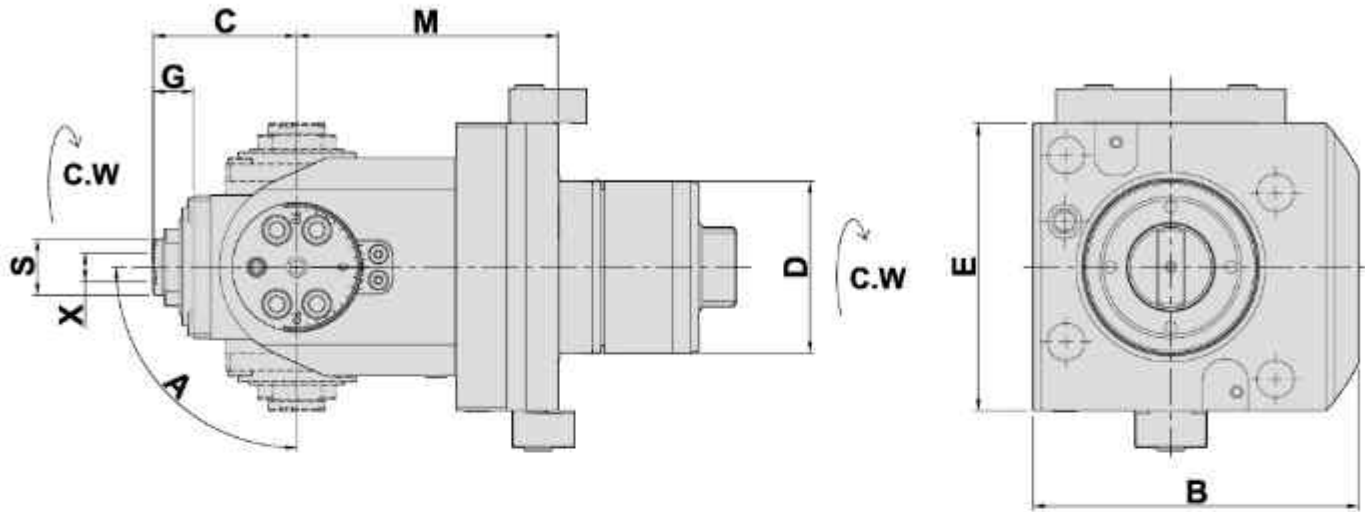
DIMENSIONS

Models	D	X Capacity	S	Maximum R.P.M.	A	B	C	E	Code No.	Order No.	(Kg) Weight
LB2000EX / LB3000EX / LU3000EX / L300MW V12	60	1-16 ER25	42	6000	91	56	100	96	1601HD-000	OK-EX-DA60-ER25-QF	3.7

ANGULAR HEAD

TYPE OKUMA

萬向鑽銑刀座



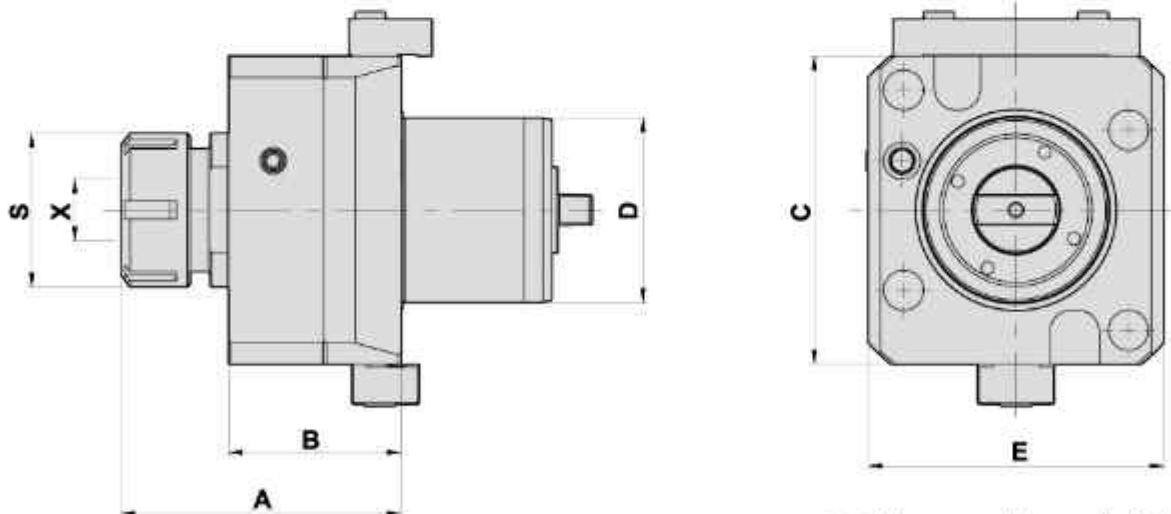
- To be used for collet DIN 6499
- External coolant supply
- Collet is not included

DIMENSIONS

Models	D	X Capacity	S	Maximum R.P.M.	A	B	C	E	G	M	Code No.	Order No.	(Kg) Weight
LB2000EX / LB3000EX / LU3000EX / L300MW V12	60	1-10 ER16A	19.5	4000	±90°	114	50	100	14	91	1601HC-000	OK-EX-DA60-16BAC	7.5

AXIAL MILLING AND DRILLING HEAD

軸向鑽銑刀座 (0°)



- To be used for collet DIN 6499
- Internal coolant supply 中心出水
- Collet is not included

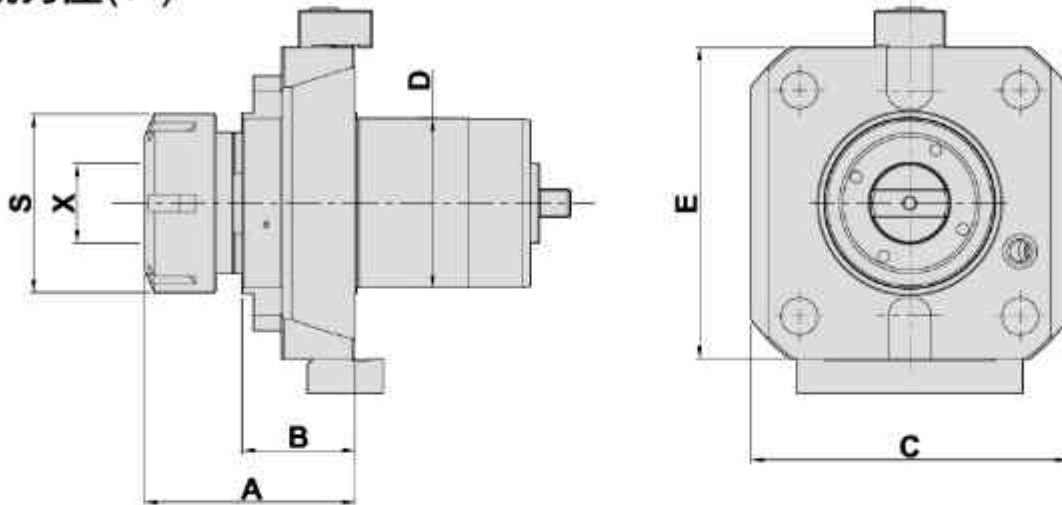
DIMENSIONS

Models	D	X Capacity	S	Maximum R.P.M.	A	B	C	E	Code No.	Order No.	(Kg) Weight
LB2000EX / LB3000EX / LU3000EX / L300MW V12	60	2-20 ER32	50	6000	91	56	96	100	1601HB-000	OK-EX-CW-DA60-ER32	5

AXIAL MILLING AND DRILLING HEAD

TYPE OKUMA

軸向鑽銑刀座(0°)

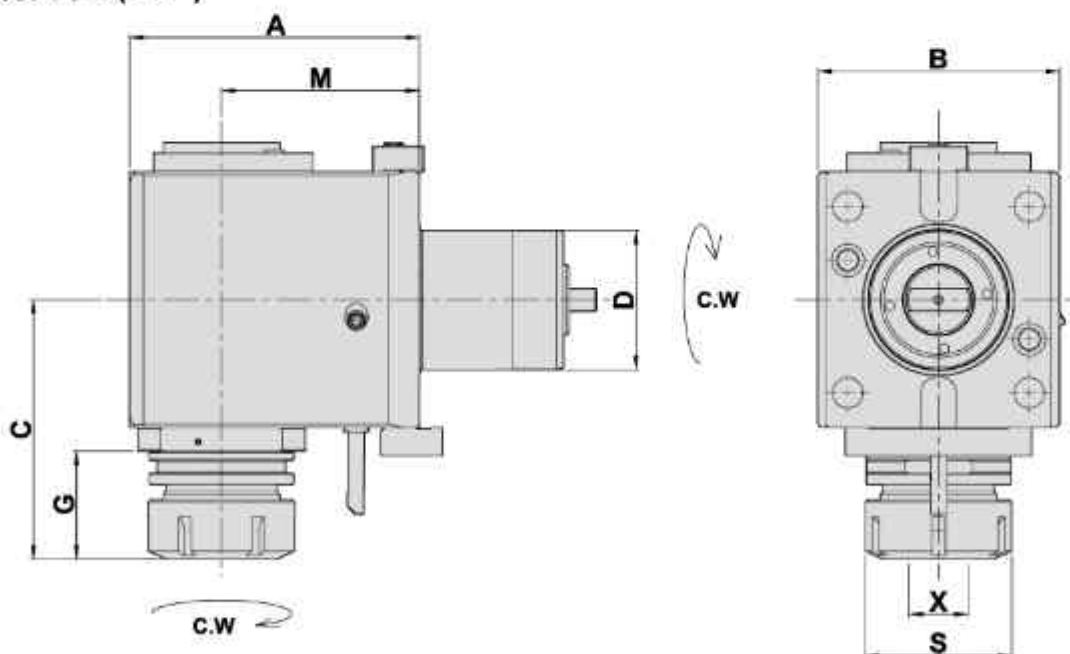


- To be used for collet DIN 6499
- External coolant supply
- Collet is not included

Models	D	X Capacity	S	Maximum R.P.M.	A	B	C	E	Code No.	Order No.	(Kg) Weight
LB4000EX	60	3-26 ER40	63	6000	75	40	110	112	1601HF-000	OK-LB4000-DA60-ER40	4.6

RADIAL MILLING AND DRILLING HEAD

徑向鑽銑刀座(90°)



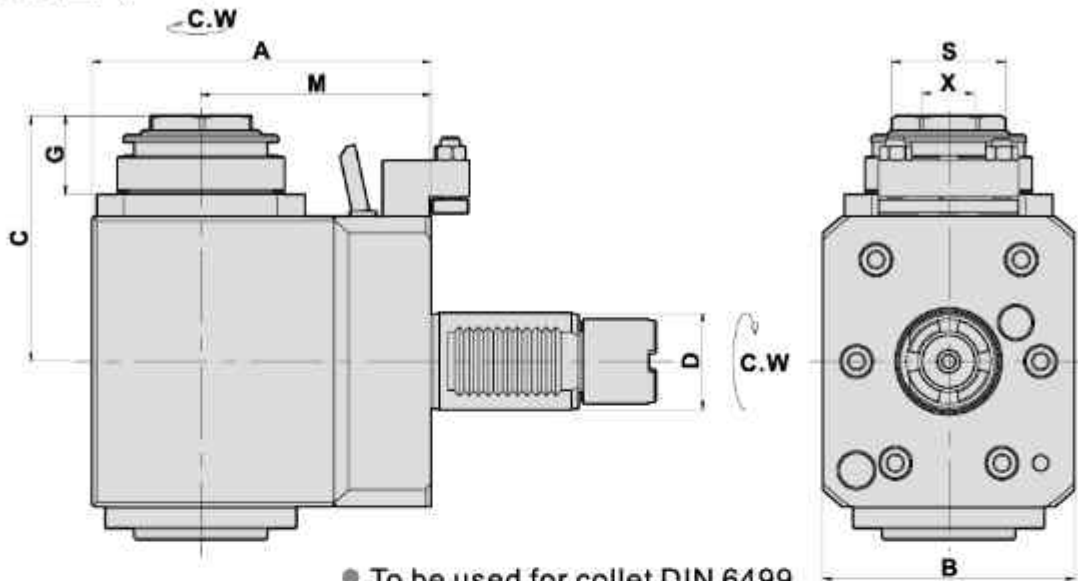
- To be used for collet DIN 6499
- External coolant supply
- Collet is not included

Models	D	X Capacity	S	Maximum R.P.M.	A	B	C	G	M	Code No.	Order No.	(Kg) Weight
LB4000EX	60	2-20 ER32	50	5000	125	104	102	37	85	2601HJ-000	OK-LB4000-DF60-32-85	12.1
	60	3-26 ER40	63	5000	125	104	112	47	85	2601HD-000	OK-LB4000-DF60-40-85	12.3

RADIAL MILLING AND DRILLING HEAD

TYPE OKUMA

徑向鑽銑刀座 (90°)



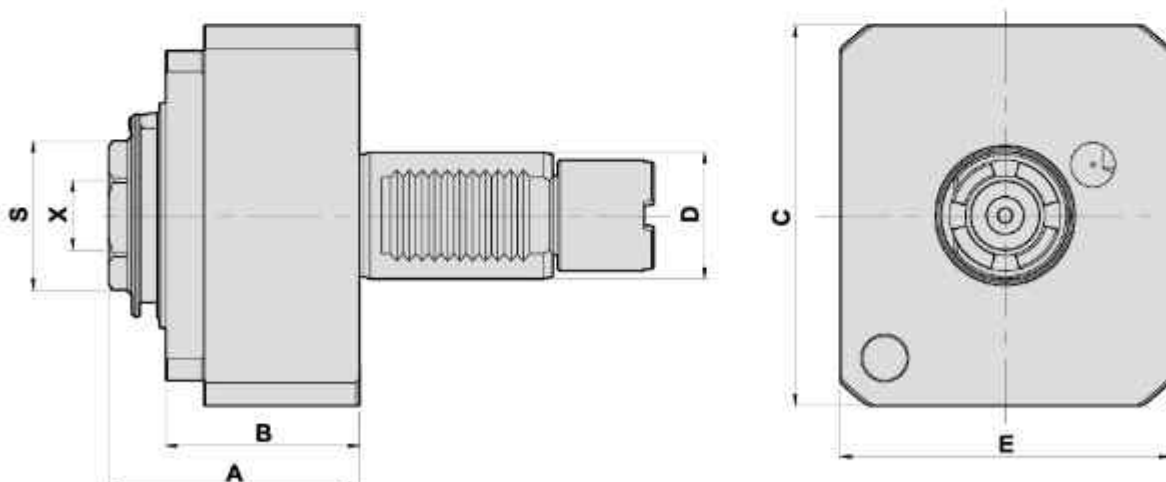
- To be used for collet DIN 6499
- External coolant supply
- Collet is not included

DIMENSIONS

Models	D	X Capacity	S	Maximum R.P.M.	A	B	C	G	M	Code No.	Order No.	(Kg) Weight
LU25M	40	3-26 ER40A	47	5000	135	104	102	32.5	90	240AHG-000	OK-LU-FL40-40A-90	12.9
LU25M	40	3-26 ER40A	47	5000	140	104	102	32.5	95	240AHD-000	OK-LU-FL40-40A-95	13.5

AXIAL MILLING AND DRILLING HEAD

軸向鑽銑刀座 (0°)



- To be used for collet DIN 6499
- External coolant supply
- Collet is not included

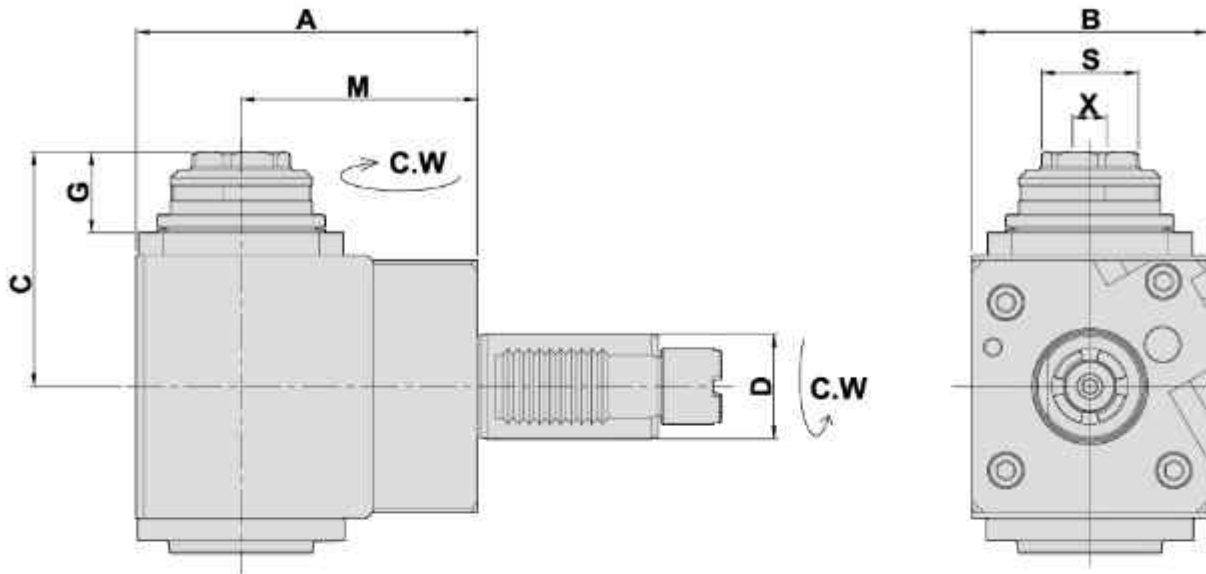
DIMENSIONS

Models	D	X Capacity	S	Maximum R.P.M.	A	B	C	E	Code No.	Order No.	(Kg) Weight
LU25M	40	3-26 ER40A	47	6000	79	61	120	104	140AHC-000	OK-LU-DA40-ER40A	5.8

RADIAL MILLING AND DRILLING HEAD

TYPE OKUMA

徑向鑽銑刀座 (90°)



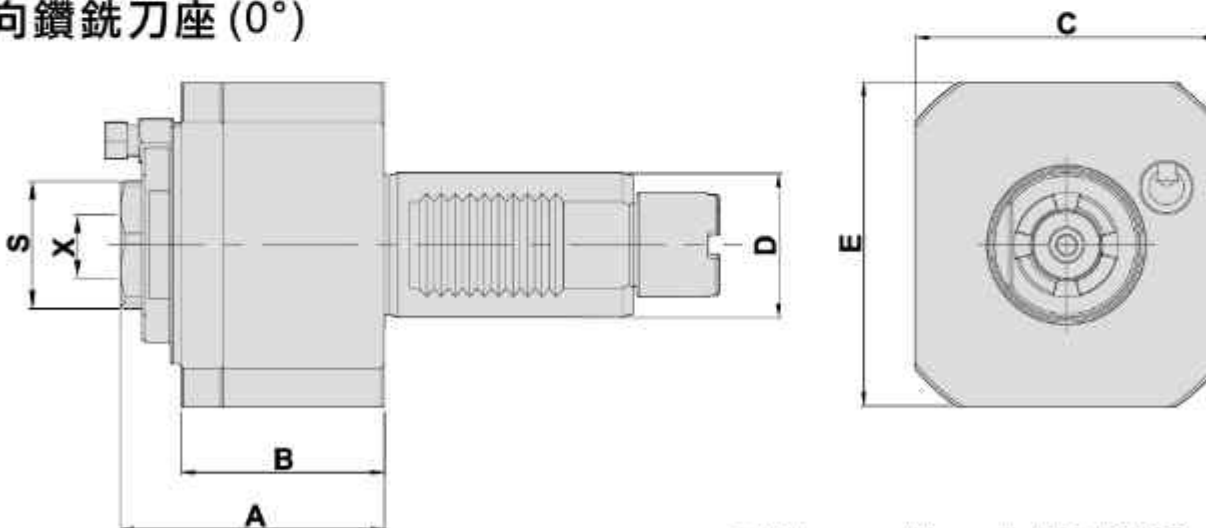
- To be used for collet DIN 6499
- External coolant supply
- Collet is not included

DIMENSIONS

Models	D	X Capacity	S	Maximum R.P.M.	A	B	C	G	M	Code No.	Order No.	(Kg) Weight
LT15M/LT300 LB300MYW	40	2-20 ER32A	38	5000	130	90	90	31	90	240AHC-000	OK-MYW-FL40-32A-90	9.5

AXIAL MILLING AND DRILLING HEAD

軸向鑽銑刀座 (0°)



- To be used for collet DIN 6499
- External coolant supply
- Collet is not included

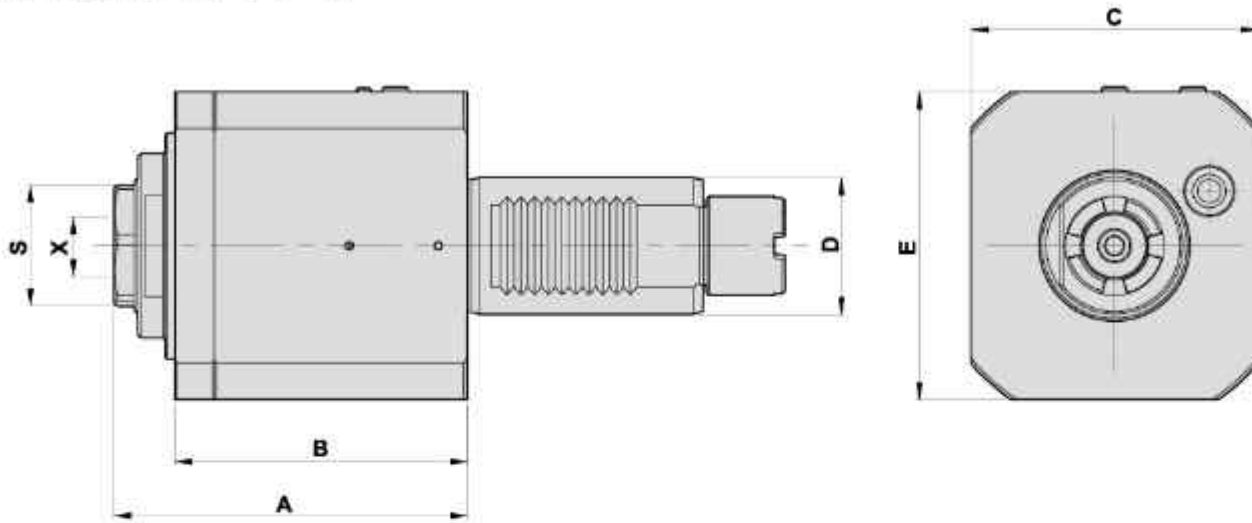
DIMENSIONS

Models	D	X Capacity	S	Maximum R.P.M.	A	B	C	E	Code No.	Order No.	(Kg) Weight
LT15M/LT300 LB300MYW	40	2-20 ER32A	38	6000	74	56.5	84	90	140AHH-000	OK-MYW-DA40-32A	3.5

AXIAL MILLING AND DRILLING HEAD

TYPE OKUMA

軸向鑽銑刀座 (0°)



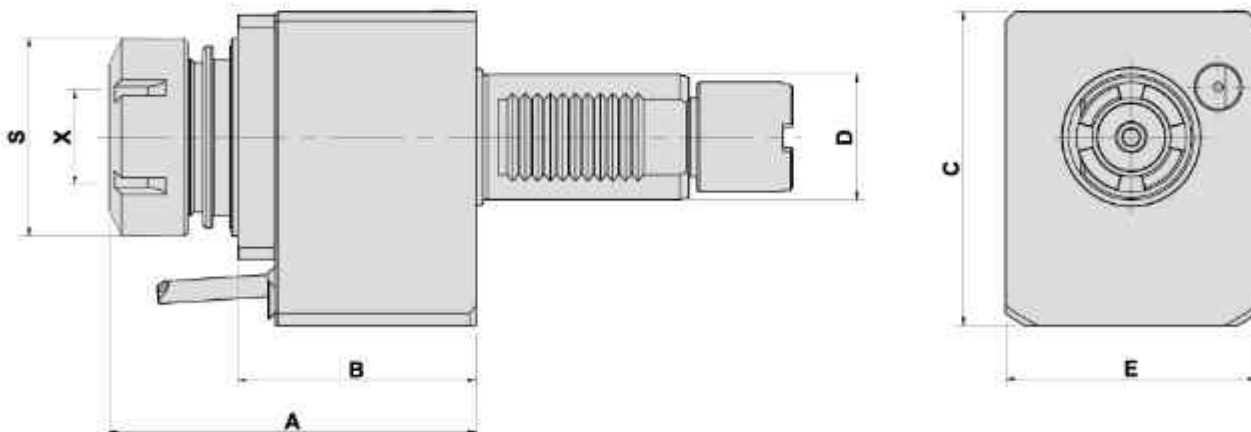
- To be used for collet DIN 6499
- Internal coolant supply: 15bar 中心出水
- Collet is not included

DIMENSIONS

Models	D	X Capacity	S	Maximum R.P.M.	A	B	C	E	Code No.	Order No.	(Kg) Weight
LT15M/LT300 LB300MYW	40	2-20 ER32A	38	6000	103	85.5	84	90	140AHK-000	OK-MYW-CW-DA40-ER32A	5

AXIAL MILLING AND DRILLING HEAD

軸向鑽銑刀座 (0°)



- To be used for collet DIN 6499
- External coolant supply
- Collet is not included

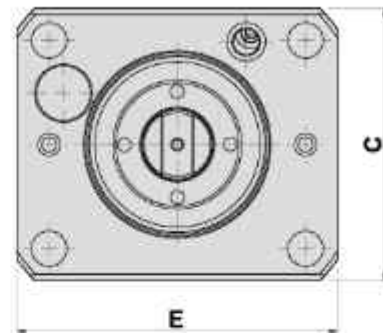
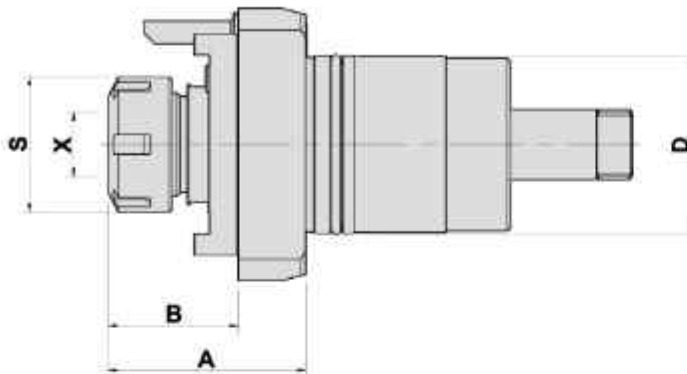
DIMENSIONS

Models	D	X Capacity	S	Maximum R.P.M.	A	B	C	E	Code No.	Order No.	(Kg) Weight
LU400M	40	3-26 ER40	63	6000	117	76	100	80	140AHD-000	OK-LU400M-DA40-ER40	5.3

AXIAL MILLING AND DRILLING HEAD

TYPE OKUMA

軸向鑽銑刀座 (0°)



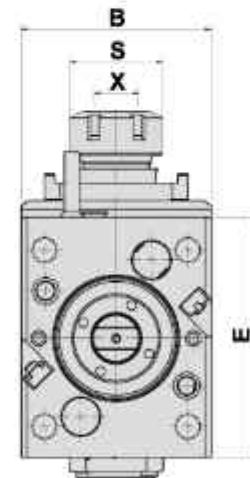
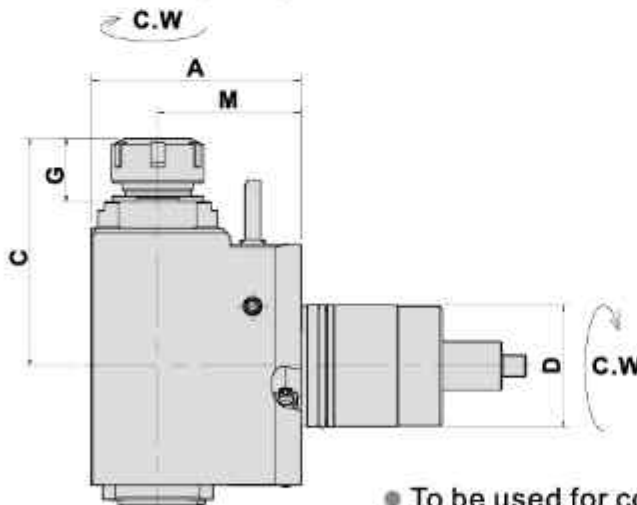
- To be used for collet DIN 6499
- External coolant supply
- Collet is not included

DIMENSIONS

Models	D	X Capacity	S	Maximum R.P.M.	A	B	C	E	Code No.	Order No.	(Kg) Weight
LT2000EX-16D	55.4	1-16 ER25	42	6000	62	41	85	100	1551HA-000	OK-LT2000-DA55.4-ER25	2.9
	55.4	1-16 ER25	42	6000	75	42	85	100	1551HC-000	OK-LT2000-DA55.4-ER25-L	3.6
LT2000EX-12D	60.4	2-20 ER32	50	6000	69	43	85	100	1611HA-000	OK-LT2000-DA60.4-ER32	3.5

RADIAL MILLING AND DRILLING HEAD

徑向鑽銑刀座 (90°)



- To be used for collet DIN 6499
- External coolant supply
- Collet is not included

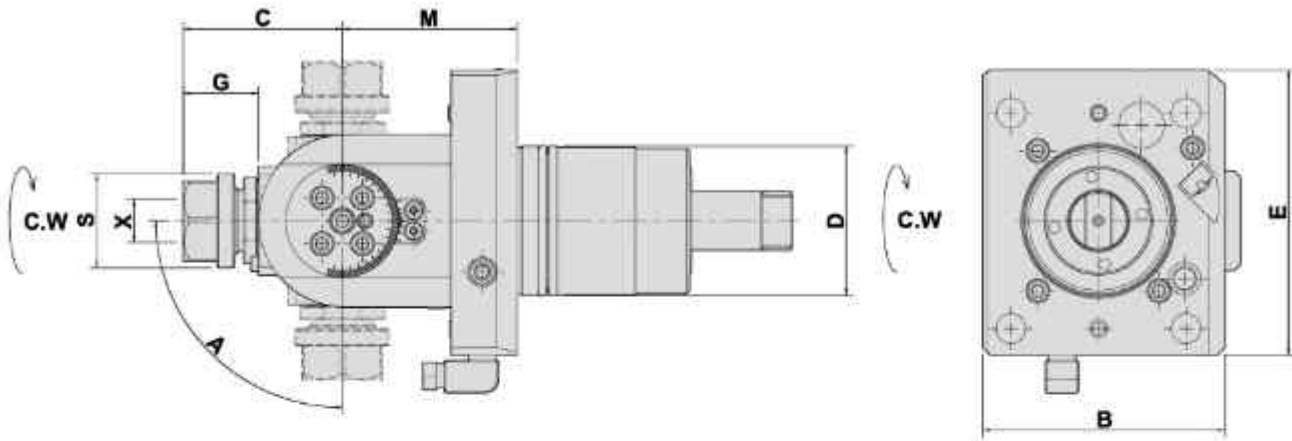
DIMENSIONS

Models	D	X Capacity	S	Maximum R.P.M.	A	B	C	E	G	M	Code No.	Order No.	(Kg) Weight
LT2000EX-16D	55.4	1-16 ER25	42	5000	95	86	103	109	29	65	2551HA-000	OK-LT2000-DF55.4-25-65	7.8
	55.4	1-16 ER25	42	5000	110	86	90	108	29	80	2551HB-000	OK-LT2000-DF55.4-25-80	8.3
LT2000EX-12D	60.4	2-20 ER32	50	5000	127	100	106	122	29	90	2611HA-000	OK-LT2000-DF60.4-32-90	11.6

ANGULAR HEADS

TYPE OKUMA

萬向鑽銑刀座



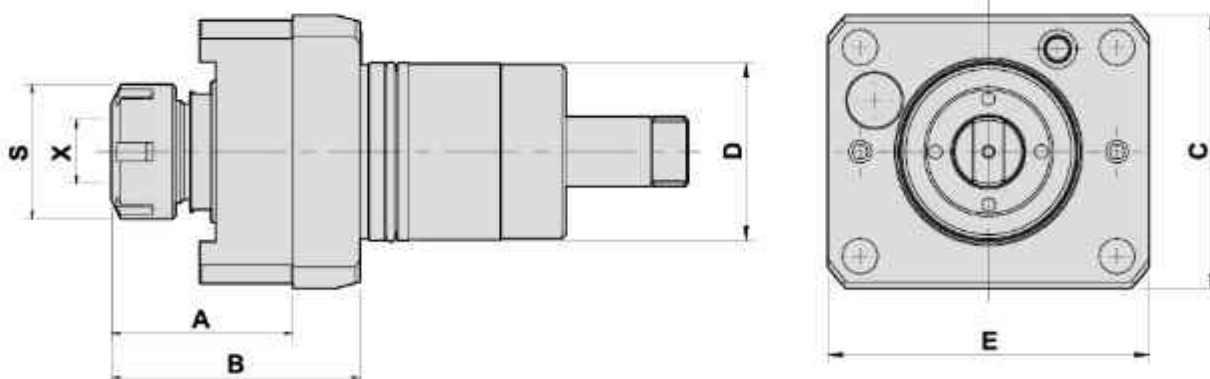
- To be used for collet DIN 6499
- External coolant supply
- Collet is not included

DIMENSIONS

Models	D	X Capacity	S	Maximum R.P.M.	A	B	C	E	G	M	Code No.	Order No.	(Kg) Weight
LT2000EX-16D	55.4	1-13 ER20	35	5000	±90°	90	59	106	28	65	1551HB-000	OK-LT2000-DA55.4-20B	4.9
LT2000EX-12D	60.4	1-16 ER25	42	5000	±90°	95	65	120	29	90	1611HB-000	OK-LT2000-DA60.4-25B	7.9

AXIAL MILLING AND DRILLING HEAD

軸向鑽銑刀座 (0°)



- To be used for collet DIN 6499
- Internal coolant supply: 15bar 中心出水
- Collet is not included

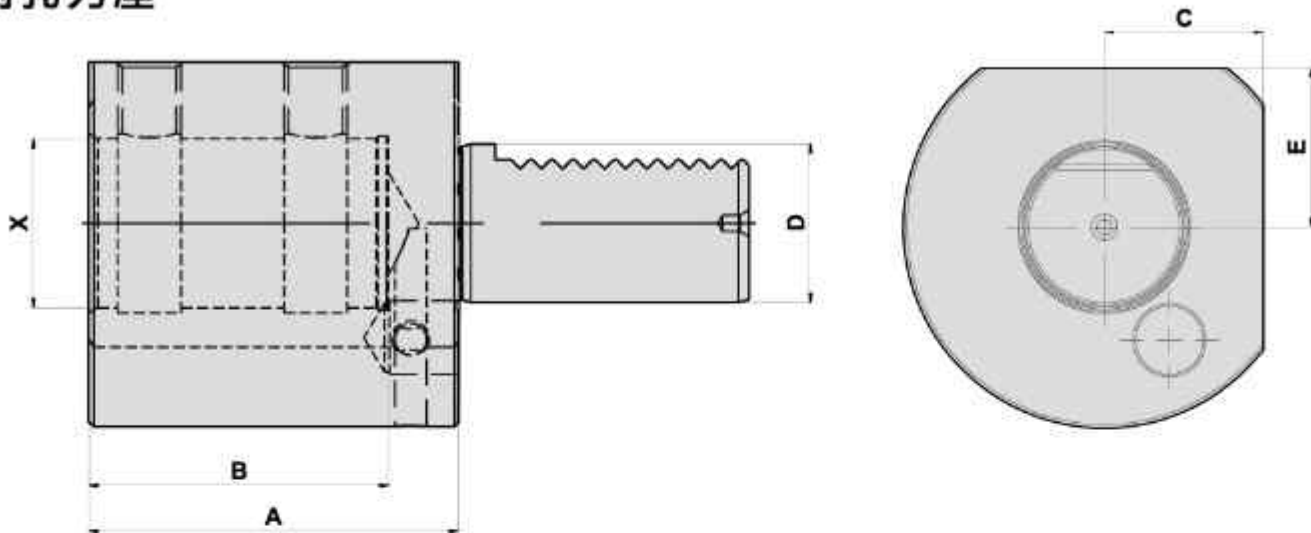
DIMENSIONS

Models	D	X Capacity	S	Maximum R.P.M.	A	B	C	E	Code No.	Order No.	(Kg) Weight
LT2000EX-16D	55.4	1-16 ER25	42	6000	78	57	85	100	1551HD-000	OK-LT2000-CW-DA55.4-ER25	3.6

BORING BAR HOLDER

TYPE OKUMA

内孔刀座



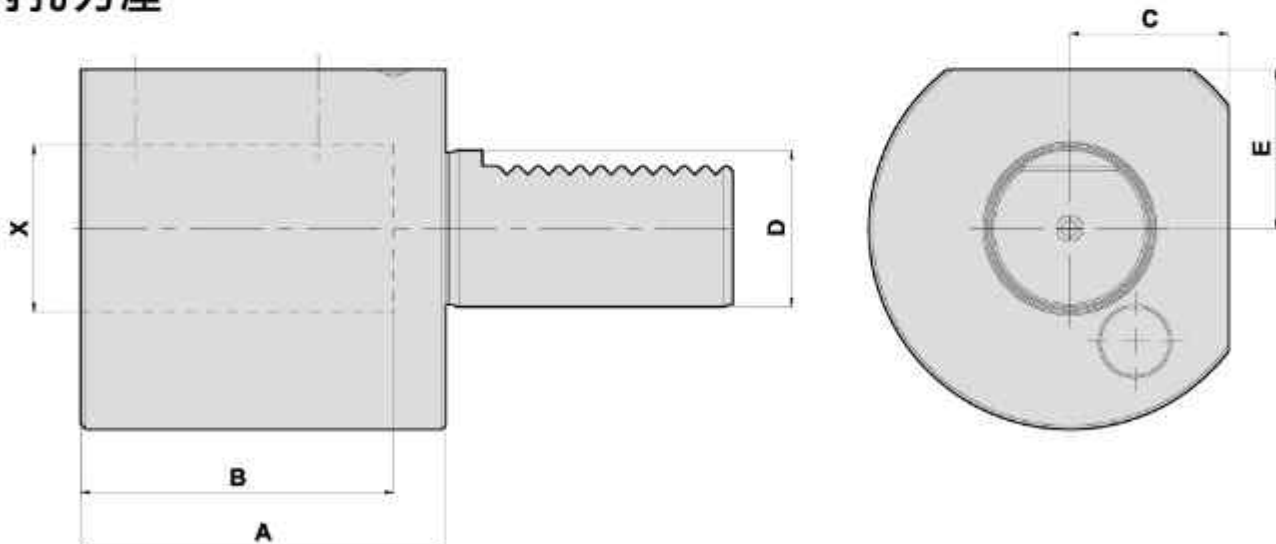
DIMENSIONS

● Internal coolant supply 中心出水

Models	D	A	B	C	E	X	Code No.	Order No.	(Kg) Weight
L200M	30	70	56.5	30.5	30.5	32(mm)	307013-000	OK-4162-2707-10	2.2
L300M	40	75	65	34.5	34.5	1.5"(inch)	3H1014-000	OK-4163-2785-10	2.9
	40	75	60	34.5	34.5	40(mm)	308015-000	OK-4163-2723-10	2.9

BORING BAR HOLDER

内孔刀座



DIMENSIONS

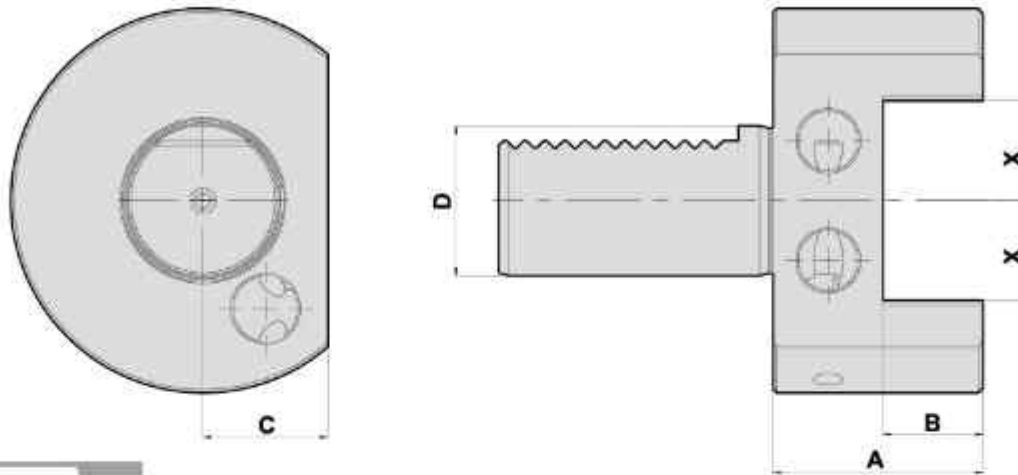
● External coolant supply

Models	D	X	A	B	C	E	Code No.	Order No.	(Kg) Weight
L200M	30	1.25"(inch)	70	60	30.5	30.5	3G1014-000	OK-4167-2610-10	2.1
	30	32(mm)	70	60	30.5	30.5	307014-000	OK-4167-2604-10	2.1
L300M	40	1.5"(inch)	75	65	34.5	34.5	3H1013-000	OK-4163-2769-11	2.9
	40	40(mm)	75	65	34.5	34.5	308014-000	OK-4163-2704-12	2.9

TURNING HOLDER

TYPE OKUMA

外徑刀座

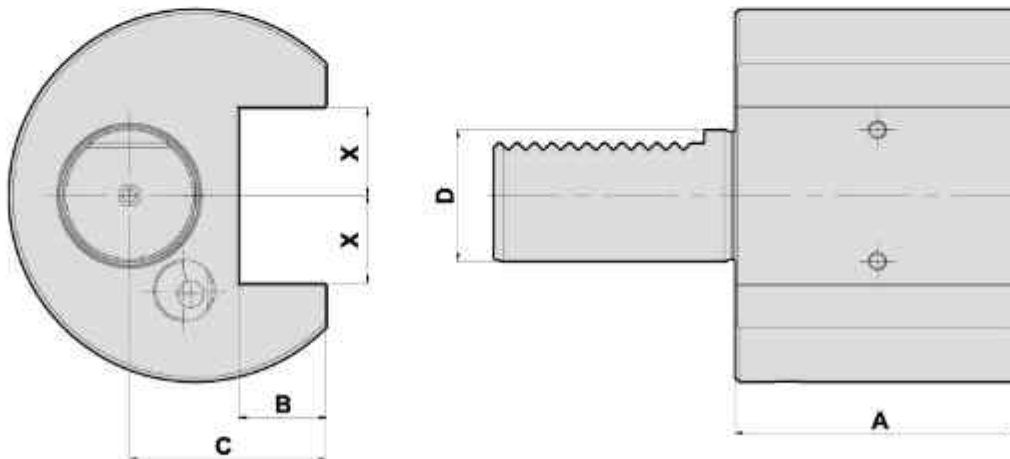


DIMENSIONS

Models	D	X	A	B	C	Code No.	Order No.	(Kg) Weight
L200M	30	0.75"(inch)	42	0.75"(inch)	25	4E1011-000	OK-A4167-2607-10	1.5
	30	20(mm)	42	20(mm)	25	405018-000	OK-A4167-2601-10	1.4
L200M	30	0.75"(inch)	42	0.75"(inch)	55	4E1012-000	OK-B4167-2608-10	1.9
	30	20(mm)	42	20(mm)	55	405019-000	OK-B4167-2602-10	1.9
L300M	40	1"(inch)	47	1"(inch)	30	4F1011-000	OK-A4163-2766-11	2.3
	40	25(mm)	47	25(mm)	30	406011-000	OK-A4163-2701-11	2.3
L300M	40	1"(inch)	47	1"(inch)	65	4F1012-000	OK-B4163-2767-11	2.8
	40	25(mm)	47	25(mm)	65	406012-000	OK-B4163-2702-11	2.8

FACING HOLDER

端面刀座



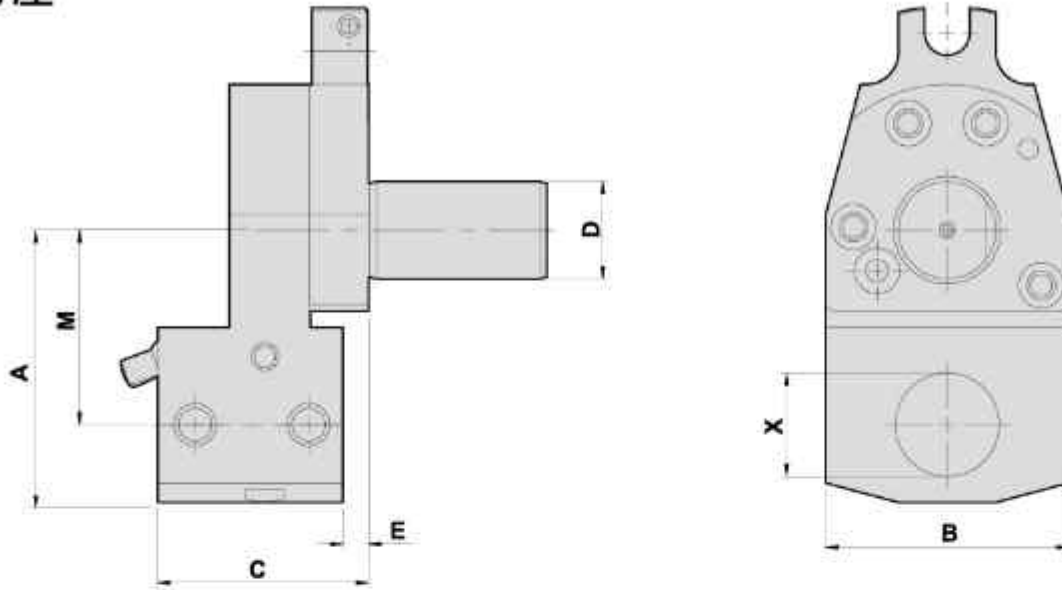
DIMENSIONS

Models	D	X	A	B	C	Code No.	Order No.	(Kg) Weight
L200M	30	0.75"(inch)	65	0.75"(inch)	45	5E1012-000	OK-C4167-2609-10	2.5
	30	20(mm)	65	20(mm)	45	505012-000	OK-C4167-2603-10	2.5
L300M	40	1"(inch)	72	1"(inch)	50	5F1011-000	OK-C4163-2768-11	3.9
	40	25(mm)	72	25(mm)	50	506011-000	OK-C4163-2703-11	3.9

BORING BAR HOLDER

TYPE OKUMA

内孔刀座



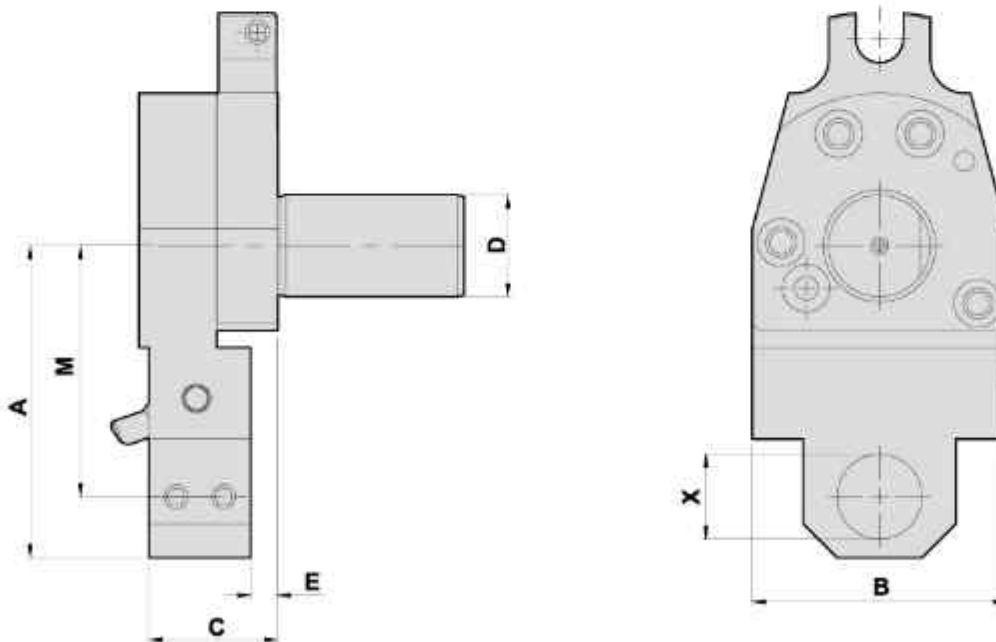
DIMENSIONS

● External coolant supply

Models	D	A	B	C	E	X	M	Code No.	Order No.	(Kg) Weight
L200M	30	84	75	65	8	32(mm)	60	30701F-000	OK-4167-2611-10	3.5
L300M	40	135	94	65	-10	1.5"(inch)	110	3H1015-000	OK-4176-2566-10	7.8
	40	135	94	65	-10	40(mm)	110	308013-000	OK-4163-2707-10	7.8

BORING BAR HOLDER

内孔刀座



DIMENSIONS

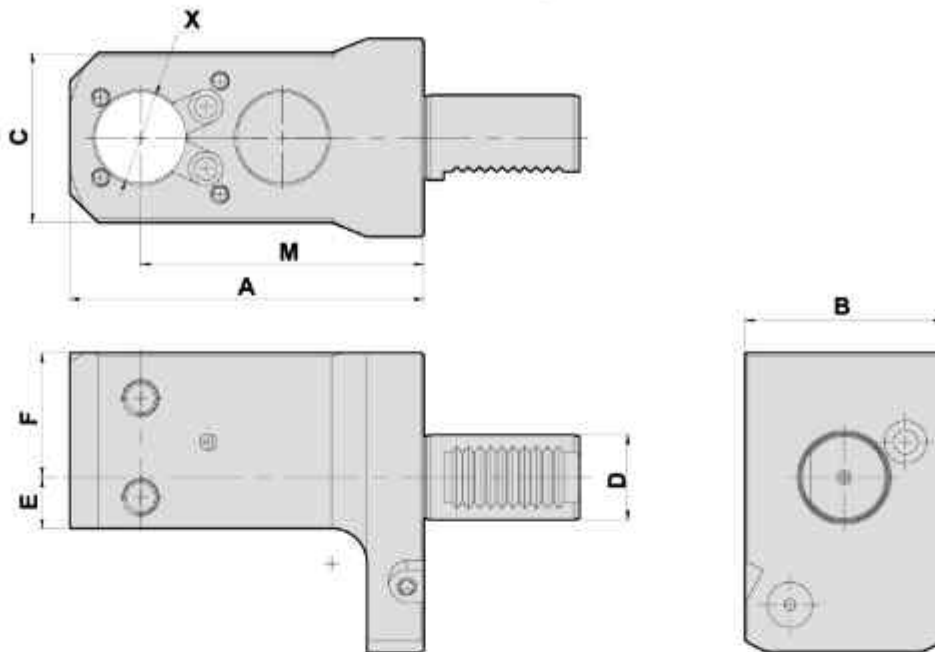
● External coolant supply

Models	D	A	B	C	E	X	M	Code No.	Order No.	(Kg) Weight
L200M	30	92	75	38	8	25	74	306014-000	OK-4167-2612-10	2.7

BORING BAR HOLDER

TYPE OKUMA

内孔刀座



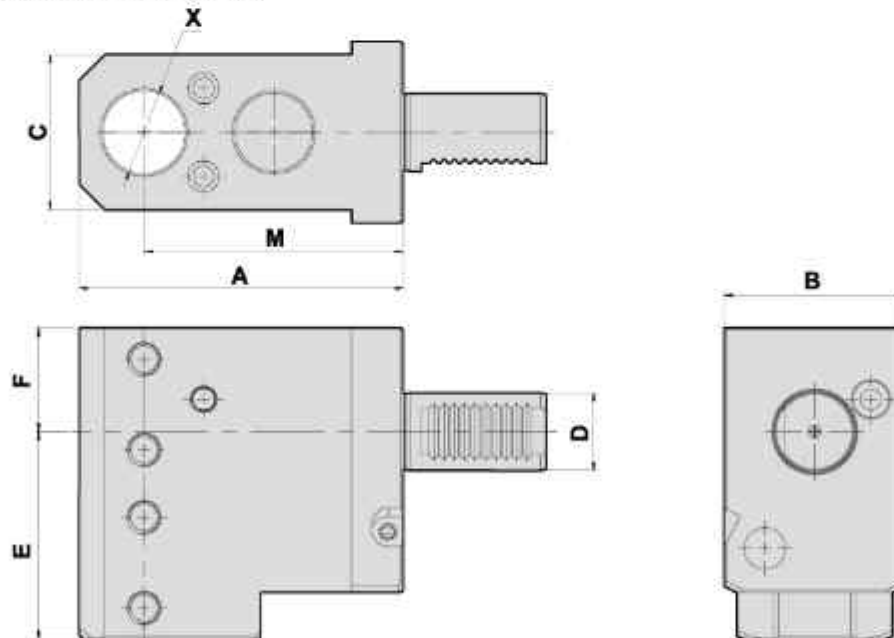
- External coolant supply
- Internal coolant supply 中心出水

DIMENSIONS

Models	D	A	B	C	E	F	X	M	Code No.	Order No.	(Kg) Weight
LT200-MY	30	125	70	60	18	44	1.25"(inch)	100	3G1016-000	OK-LT-II-H31.75-100	3.7
LT200-MY	30	125	70	60	18	44	32(mm)	100	307016-000	OK-LT-II-H32-100	3.7

BORING BAR HOLDER

内孔刀座



- External coolant supply
- Internal coolant supply 中心出水

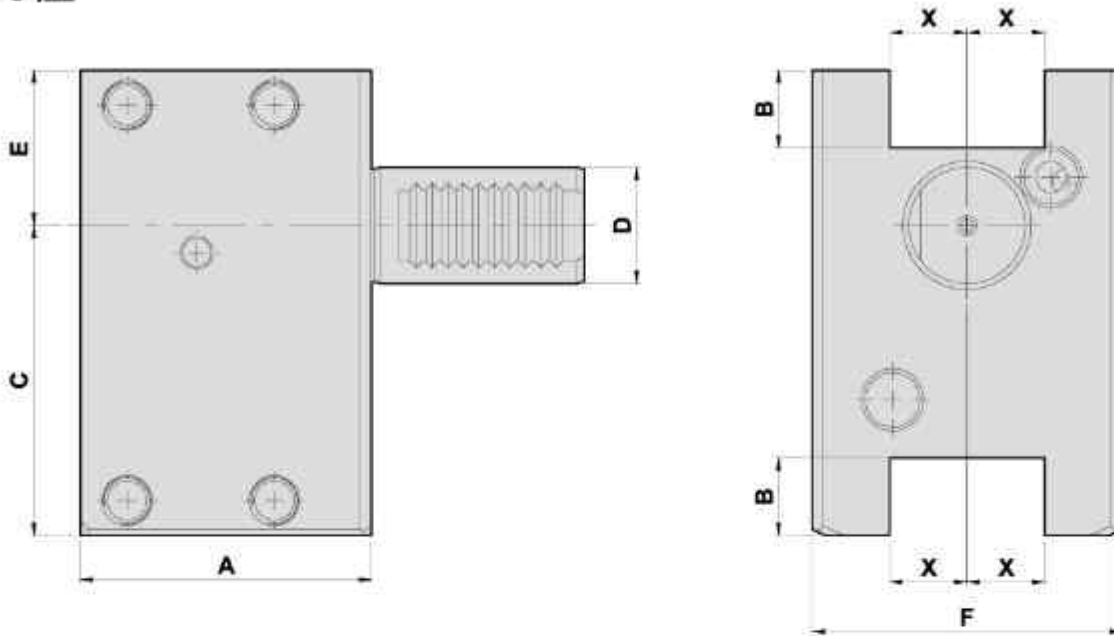
DIMENSIONS

Models	D	A	B	C	E	F	X	M	Code No.	Order No.	(Kg) Weight
LT200-MY	30	125	70	60	80	40	1.25"(inch)	100	3G1017-000	OK-LT-I-H31.75-100-L	5.5
LT200-MY	30	125	70	60	80	40	32(mm)	100	307017-000	OK-LT-I-H32-100-L	5.5

TURNING HOLDER

TYPE OKUMA

外徑刀座



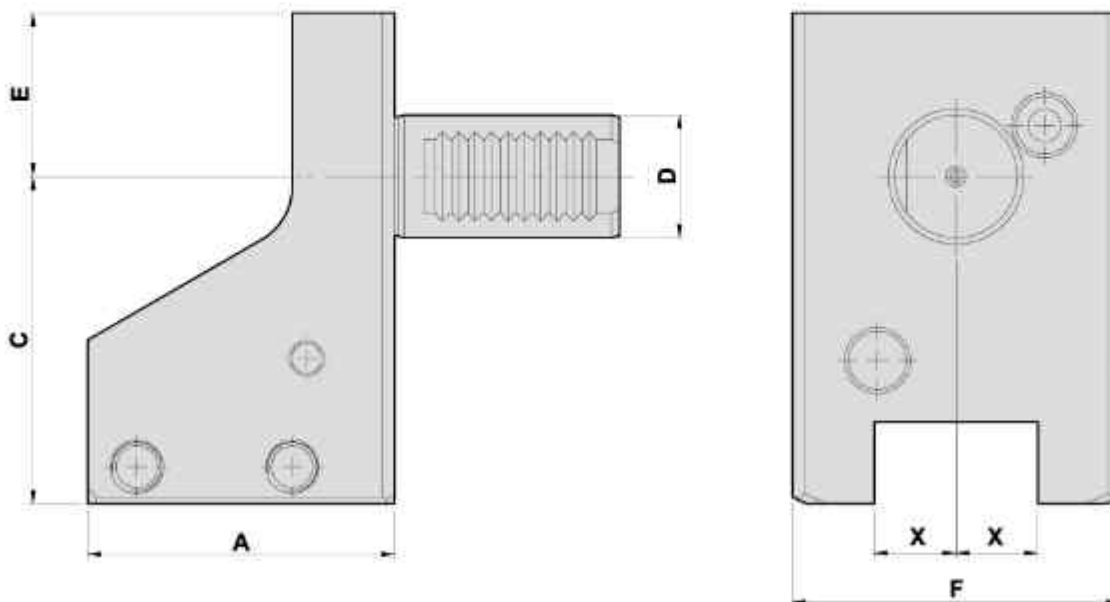
DIMENSIONS

● External coolant supply

Models	D	A	B	C	E	F	X	Code No.	Order No.	(Kg) Weight
LT200-MY	30	75	20	80	40	80	20	40501D-000	OK-LT-OD-I-D-20	4.8

TURNING HOLDER

外徑刀座



DIMENSIONS

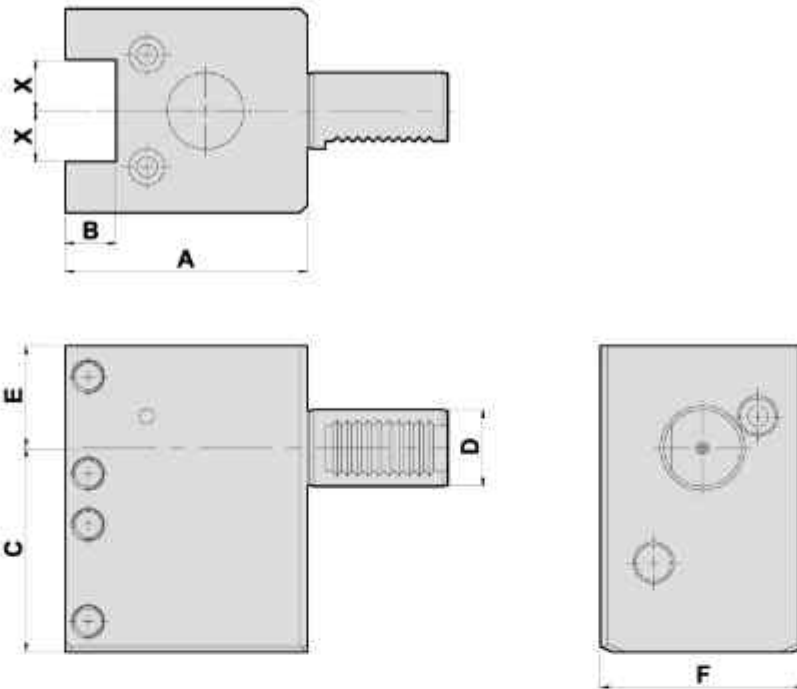
● External coolant supply

Models	D	A	B	C	E	F	X	Code No.	Order No.	(Kg) Weight
LT200-MY	30	75	20	80	40	80	20	40501C-000	OK-LT-OD-I-S-20	3.5

FACING HOLDER

TYPE OKUMA

端面刀座



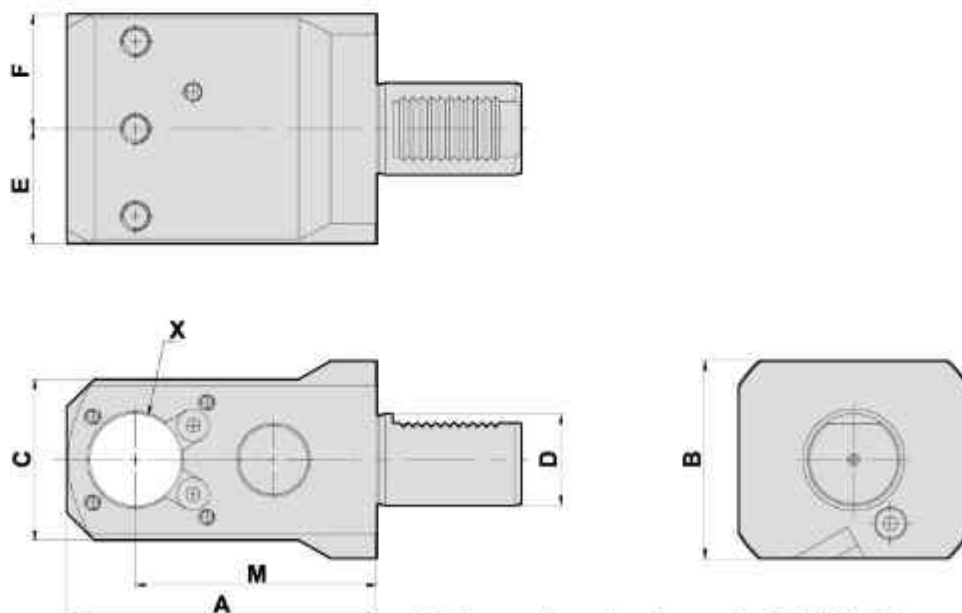
DIMENSIONS

● External coolant supply

Models	D	A	B	C	E	F	X	Code No.	Order No.	(Kg) Weight
LT200-MY	30	95	0.75"(inch)	80	40	80	0.75"(inch)	5E1014-000	OK-LT-OD-0.75"	5.9
LT200-MY	30	95	20(mm)	80	40	80	20(mm)	505014-000	OK-LT-OD-20	5.9

BORING BAR HOLDER

内孔刀座



DIMENSIONS

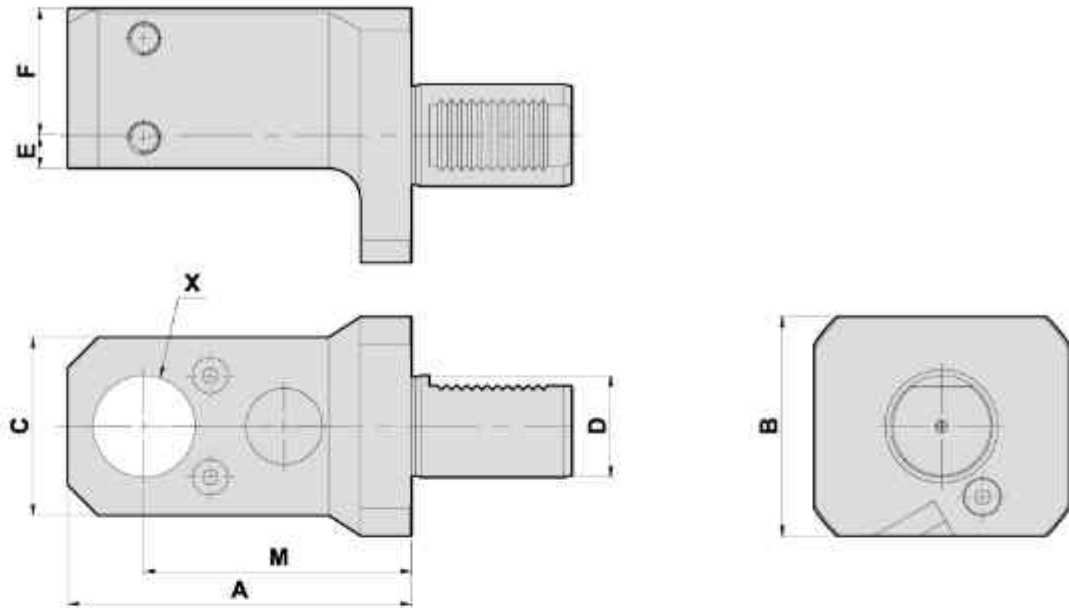
● Internal coolant supply 中心出水
● External coolant supply

Models	D	A	B	C	E	F	X	M	Code No.	Order No.	(Kg) Weight
LT15M/LT300 LB300-MYW	40	135	86	70	50	50	40	105	308017-000	OK-LT-ID-I-H40-105	6.6

BORING BAR HOLDER

TYPE OKUMA

內孔刀座



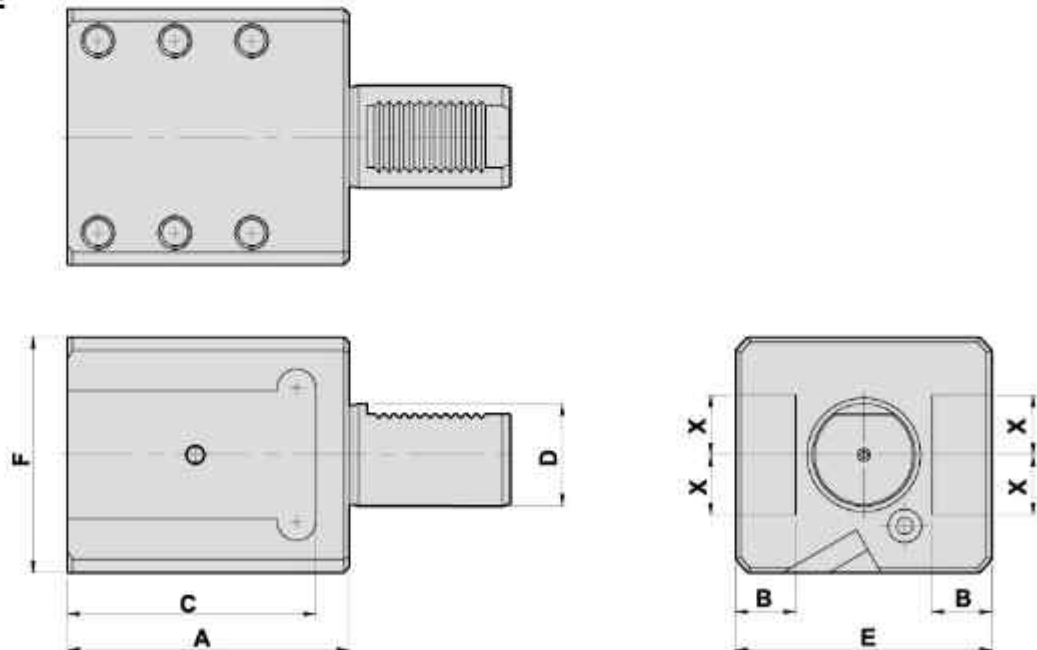
DIMENSIONS

● External coolant supply

Models	D	A	B	C	E	F	X	M	Code No.	Order No.	(Kg) Weight
LT15M/LT300 LB300-MYW	40	135	86	70	13	50	40	105	308018-000	OK-LT-ID-II-H40-105	4.9

DOUBLE SIDE TURNING HOLDER

雙側外徑刀座



DIMENSIONS

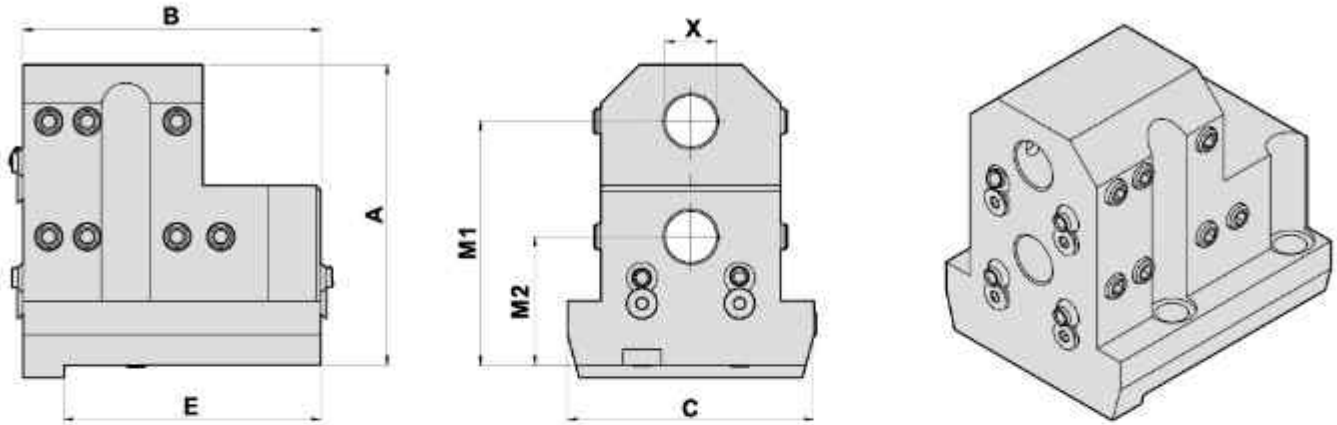
● External coolant supply

Models	D	A	B	C	E	F	X	Code No.	Order No.	(Kg) Weight
LT15M/LT300 LB300-MYW	40	110	25	97	100	92	25	406018-000	OK-LT-ID I	6.2

DOUBLE BORING BAR HOLDER

TYPE OKUMA

雙內孔刀座



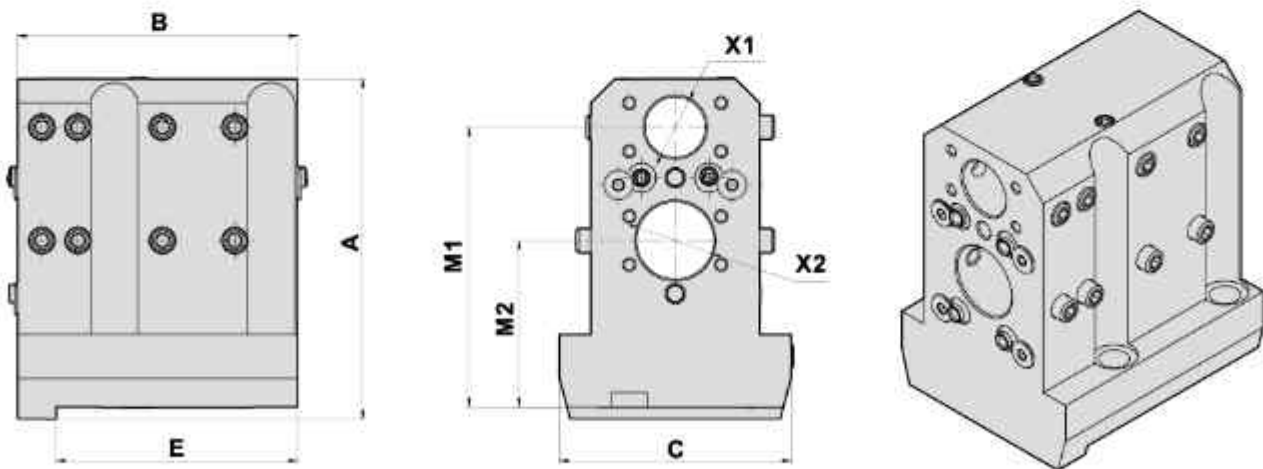
DIMENSIONS

● External coolant supply

Models	A	B	C	E	X	M1	M2	Code No.	Order No.	(Kg) Weight
LB2000EX / LB3000EX / LU3000EX / L300MW V12	117	116	96	100	25	95	50	306012-000	OK-EX-B25x2-50	5.7
	141	116	96	100	25	114	69	306017-000	OK-EX-B25x2-69	6.9

DOUBLE BORING BAR HOLDER

雙內孔刀座



DIMENSIONS

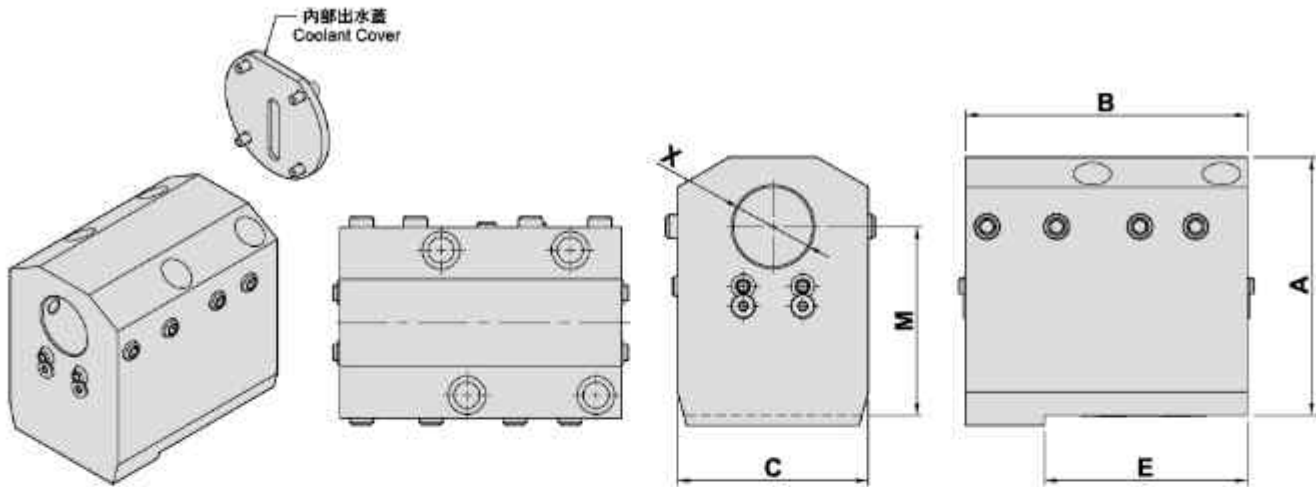
● External coolant supply

Models	A	B	C	E	X1	X2	M1	M2	Code No.	Order No.	(Kg) Weight
LB2000EX / LB3000EX / LU3000EX / L300MW V12	141	116	96	100	25	32	116	69	30701D-000	OK-EX-B32B25-69	7.6

BORING BAR HOLDER

TYPE OKUMA

内孔刀座



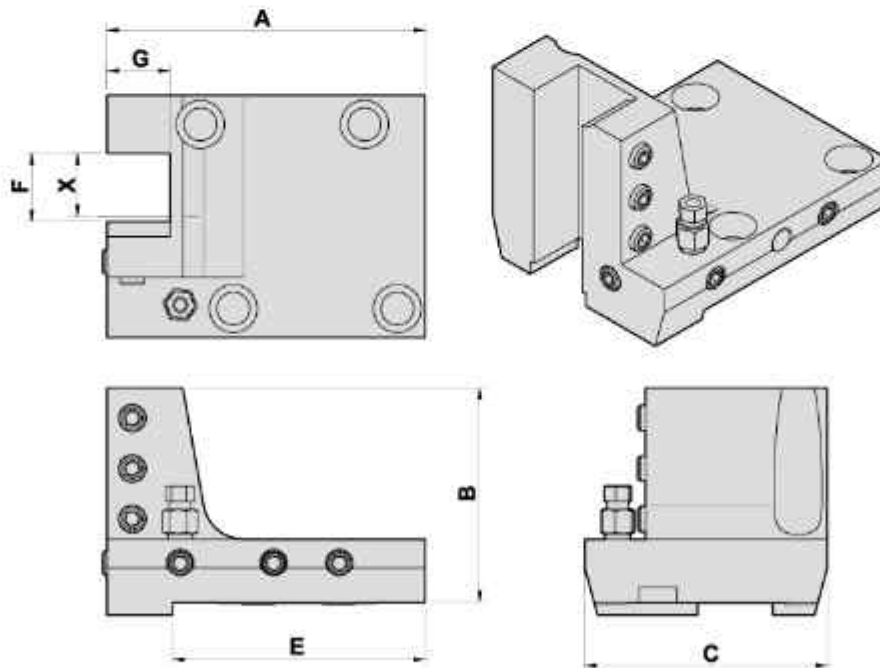
DIMENSIONS

- External coolant supply 外部出水
- Internal coolant supply 内部出水

Models	A	B	C	E	X	M	Code No.	Order No.	(Kg) Weight
LB2000EX /LB3000EX /LU3000EX /L300MW V12	106	118	96	102	32	75	30701C-000	OK-EX-B32-75	7.9
	125	142	96	102	40	90	30801J-000	OK-EX-B40-90-142	11.3
	130	142	96	102	40	95	30801A-000	OK-EX-B40-95-142	11.3

CUTTING HOLDER

切斷刀座



DIMENSIONS

- External coolant supply

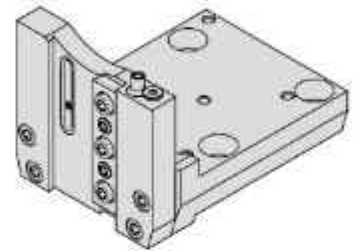
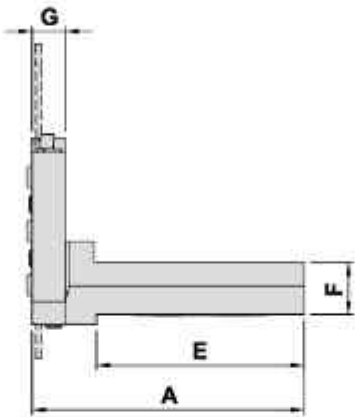
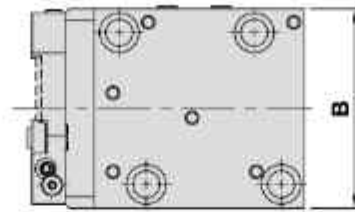
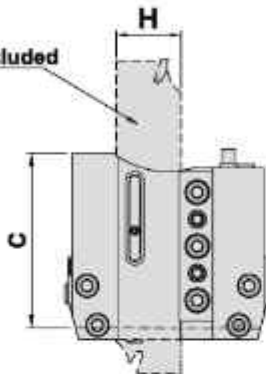
Models	A	B	C	E	F	G	X	Code No.	Order No.	(Kg) Weight
LB2000EX /LB3000EX /LU3000EX /L300MW V12	126	85	96	100	22	20	20	705011-000	OK-EX-R20-85	3.1
	126	85	96	100	27	25	25	708015-000	OK-EX-R25-85	2.9

CUTTING HOLDER

TYPE OKUMA

切斷刀座

Note:
Insert is not included



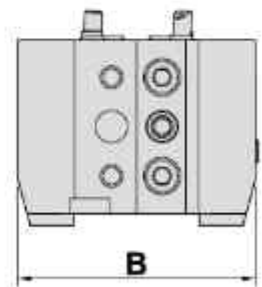
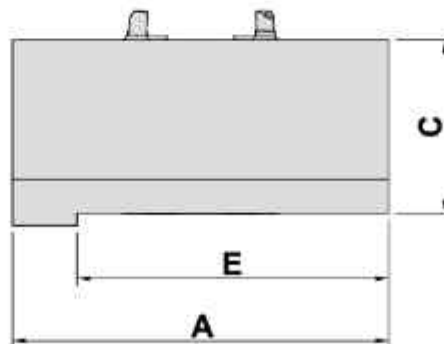
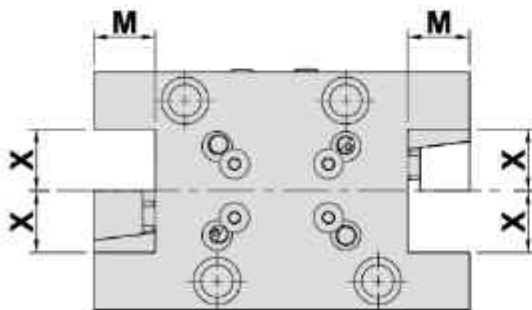
DIMENSIONS

- External coolant supply 外部出水
- Internal coolant supply 内部出水

Models	A	B	C	E	F	G	H	Code No.	Order No.	(Kg) Weight
LB2000EX /LB3000EX /LU3000EX /L300MW V12	131	96	85	100	25	16	32	706014-000	OK-EX-R25-85-H	2.9

DOUBLE SIDE TURNING HOLDER

雙側外勁刀座



DIMENSIONS

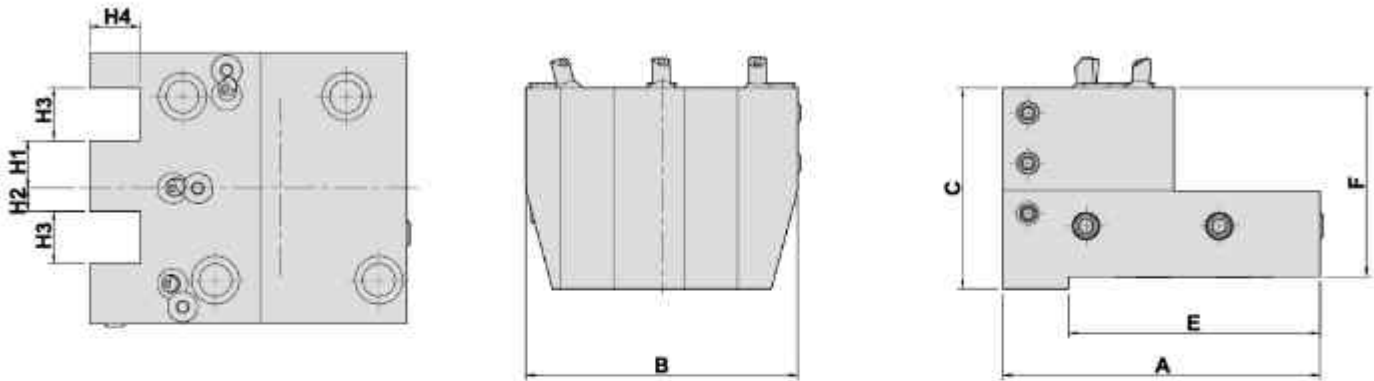
- External coolant supply 外部出水

Models	A	B	C	E	M	X	Code No.	Order No.	(Kg) Weight
LB2000EX /LB3000EX /LU3000EX /L300MW V12	152	96	70	126	25	25	406401-000	OK-EX-C25x2-70	7

TURNING HOLDER

TYPE OKUMA

外徑刀座



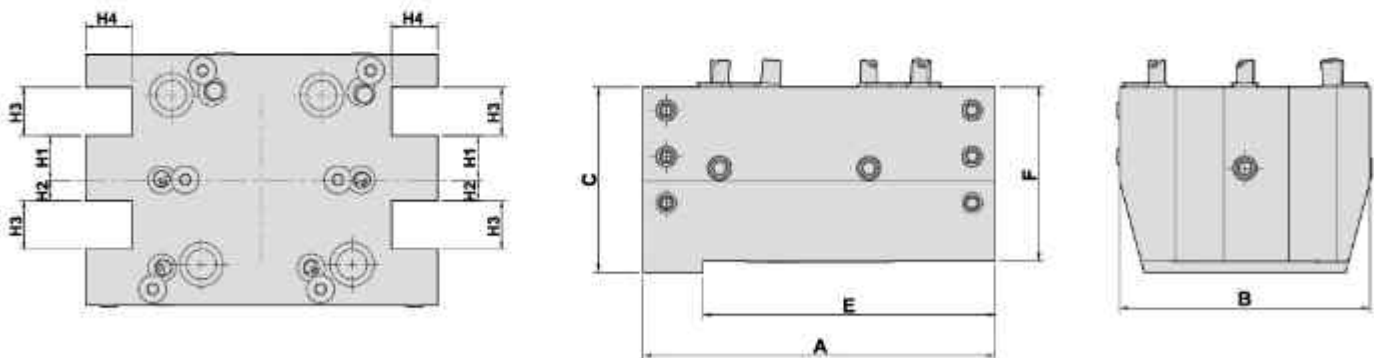
DIMENSIONS

● External coolant supply 外部出水

Models	A	B	C	E	F	H1	H2	H3	H4	Code No.	Order No.	(Kg) Weight
LB2000EX /LB3000EX /LU3000EX /L300MW V12	126	108	80	100	75	19	9	21	20	40501J-000	OK-EX-C20x2-75	4.8

DOUBLE SIDE TURNING HOLDER

雙側外徑刀座



DIMENSIONS

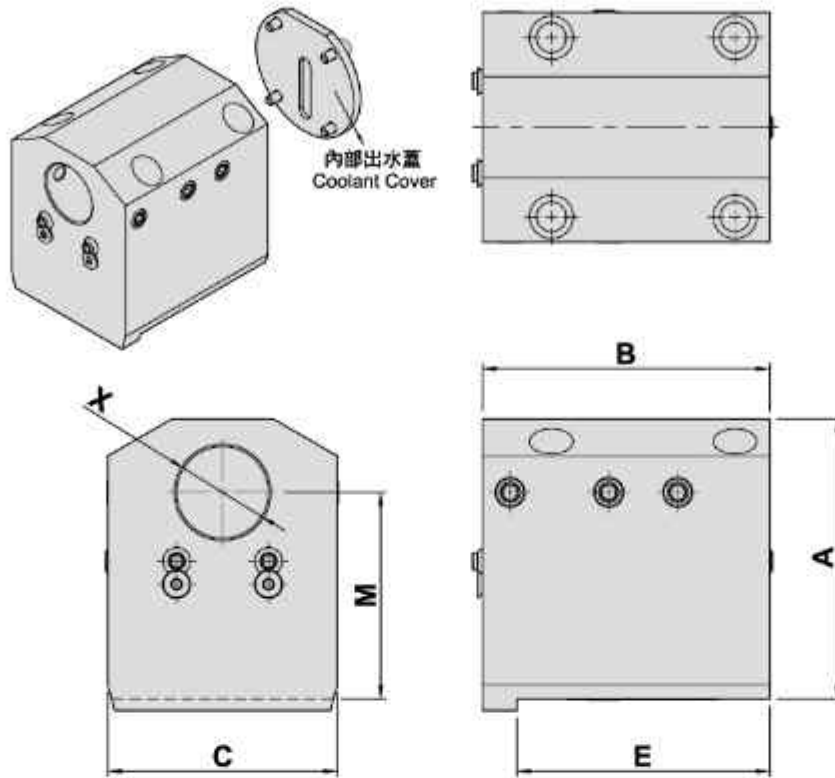
● External coolant supply 外部出水

Models	A	B	C	E	F	H1	H2	H3	H4	Code No.	Order No.	(Kg) Weight
LB2000EX /LB3000EX /LU3000EX /L300MW V12	152	108	80	126	75	19	9	21	20	40501L-000	OK-EX-C20x4-75	8.1

BORING BAR HOLDER

TYPE OKUMA

内孔刀座



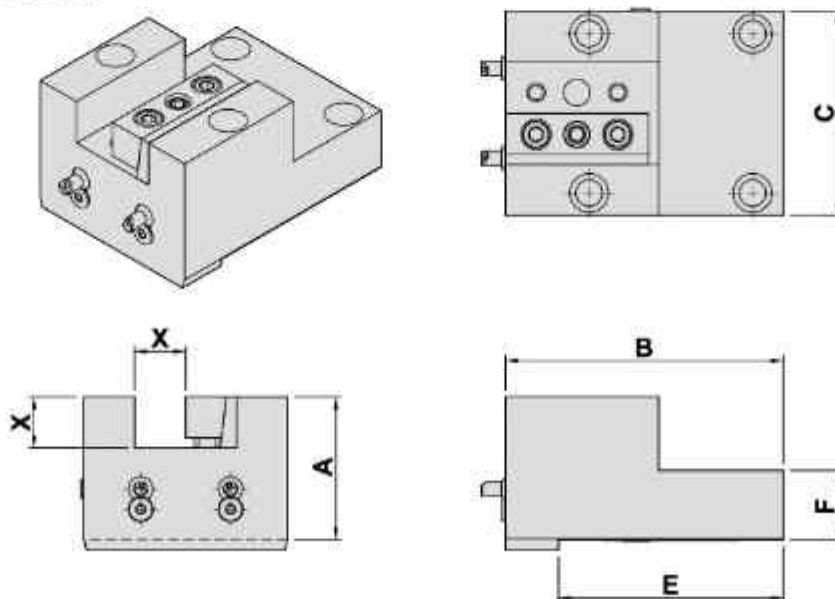
DIMENSIONS

- External coolant supply 外部出水
- Internal coolant supply 内部出水

Models	A	B	C	E	X	M	Code No.	Order No.	(Kg) Weight
LB4000EX	122	125	100	110	40	90	30801G-000	OK-LB4000-B40-90	10.3

端面刀座

FACING HOLDER



DIMENSIONS

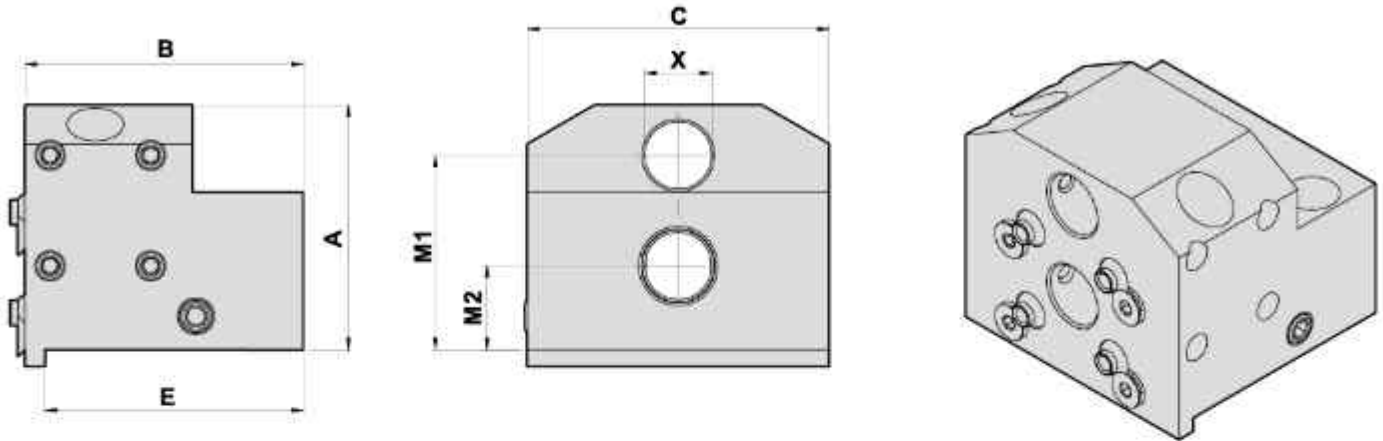
- External coolant supply 外部出水

Models	A	B	C	E	F	X	Code No.	Order No.	(Kg) Weight
LB4000EX	70	136	100	110	34	25	506018-000	OK-EX4-F25-70	5.2

DOUBLE BORING BAR HOLDER

TYPE OKUMA

雙內孔刀座



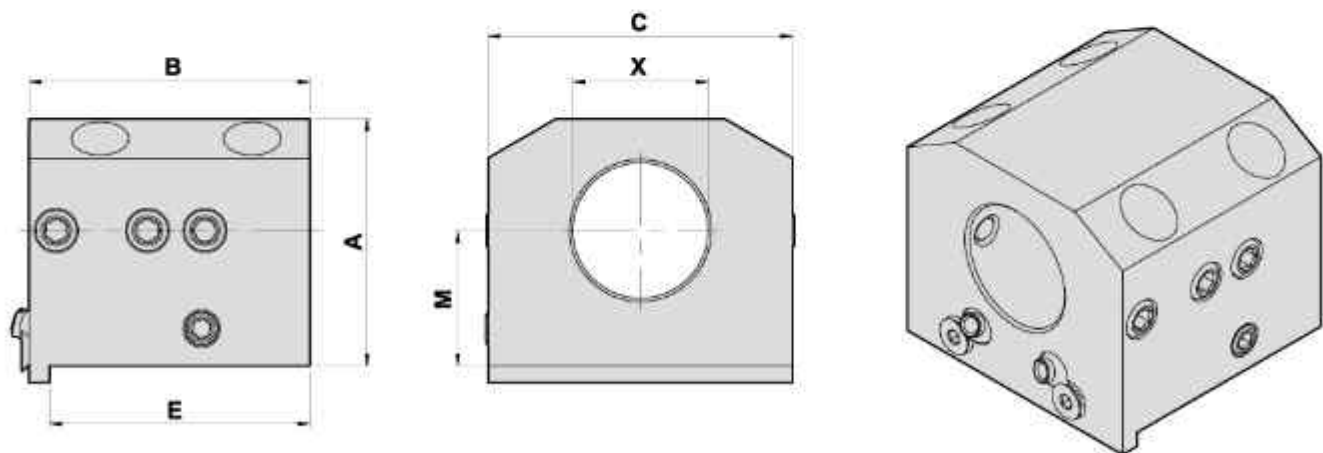
DIMENSIONS

● External coolant supply

Models	A	B	C	E	X	M1	M2	Code No.	Order No.	(Kg) Weight
L270E	73	83	90	77	16	58	25	304011-000	OK-L270E-B16x2-58	3
L270E	73	83	90	77	20	58	25	305013-000	OK-L270E-B20x2-58	2.9

BORING BAR HOLDER

內孔刀座



DIMENSIONS

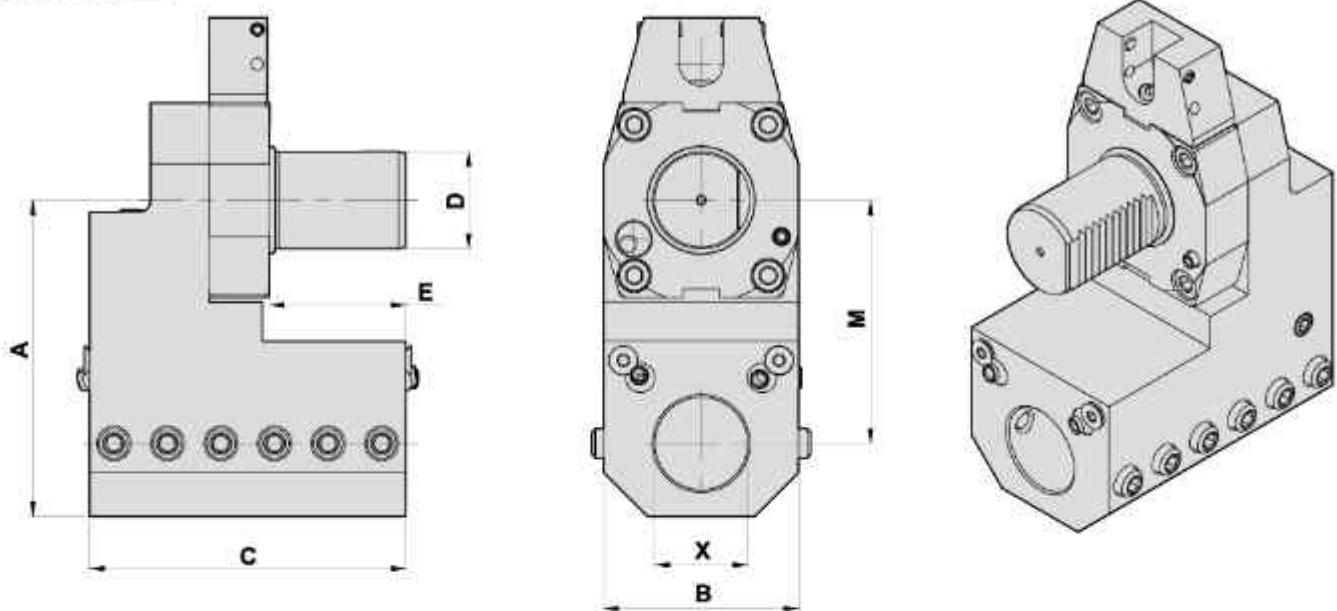
● External coolant supply

Models	A	B	C	E	X	M	Code No.	Order No.	(Kg) Weight
L270E	73	83	90	77	40	40	308016-000	OK-L270E-B40-40	3
L200	70	83	102	77	50	33	309012-000	OK-L200-B50-33	2.8

BORING BAR HOLDER

TYPE OKUMA

内孔刀座



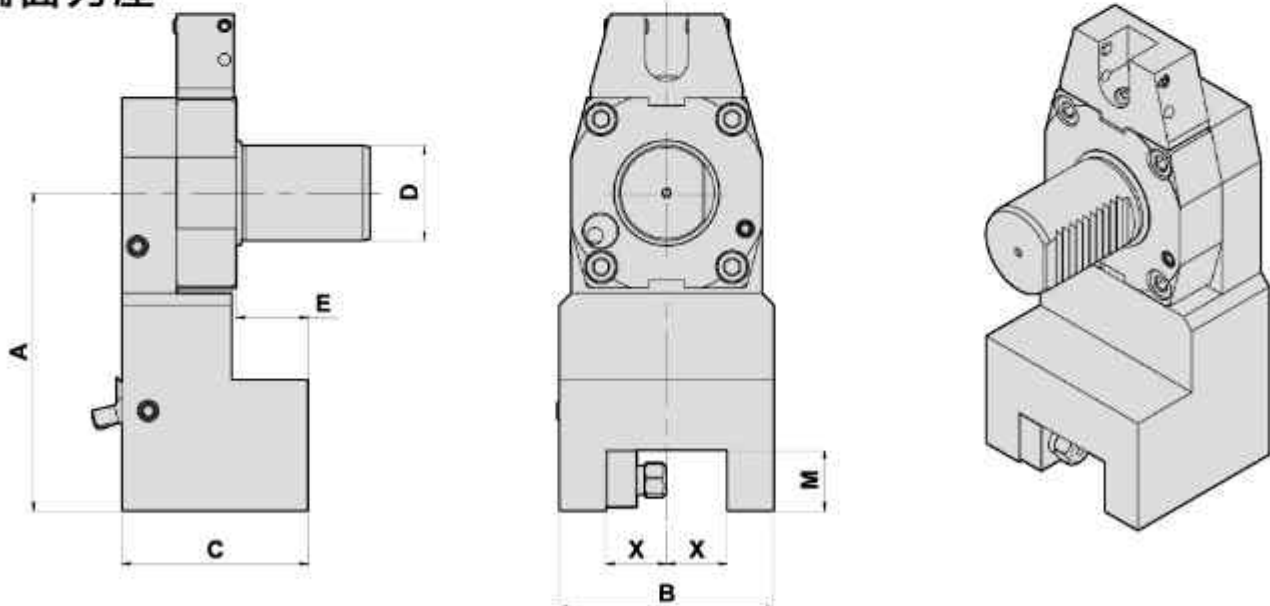
DIMENSIONS

● External coolant supply

Models	D	A	B	C	E	X	M	Code No.	Order No.	(Kg) Weight
LB300	40	130	80	130	56	1.5"(inch)	100	3H1011-000	ID40-BS-B38.1-100	8.6
LB300	40	130	80	130	56	40(mm)	100	308011-000	ID40-BS-B40-100	8.6

FACING HOLDER

端面刀座



DIMENSIONS

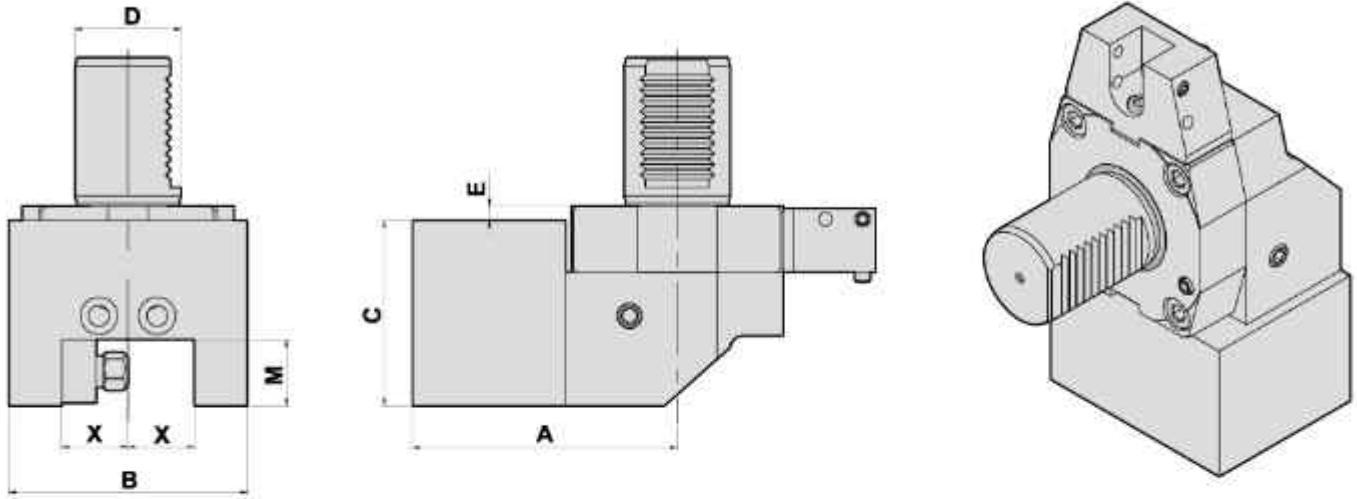
● External coolant supply

Models	D	A	B	C	E	X	M	Code No.	Order No.	(Kg) Weight
LB300	40	133	90	78	30	1"(inch)	1"(inch)	5F1012-000	OD40-CS-F25.4-133	6.7
LB300	40	133	90	78	30	25(mm)	25(mm)	506012-000	OD40-CS-F25-133	6.7

TURNING HOLDER

TYPE OKUMA

外徑刀座



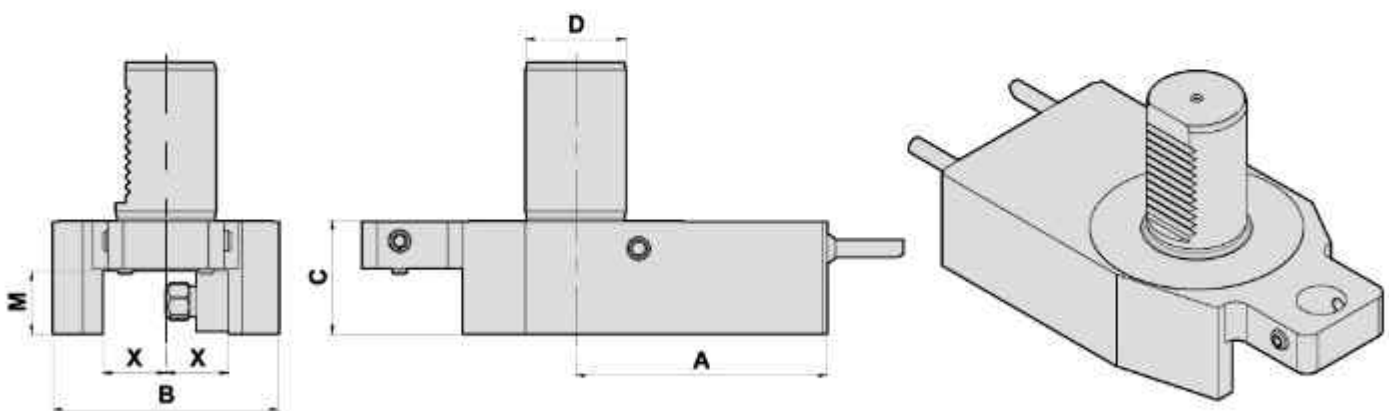
DIMENSIONS

● External coolant supply

Models	D	A	B	C	E	X	M	Code No.	Order No.	(Kg) Weight
LB300	40	100	90	70	5.5	25	25	406014-000	OD40-BS-C25-100	5.8

TURNING HOLDER

外徑刀座



DIMENSIONS

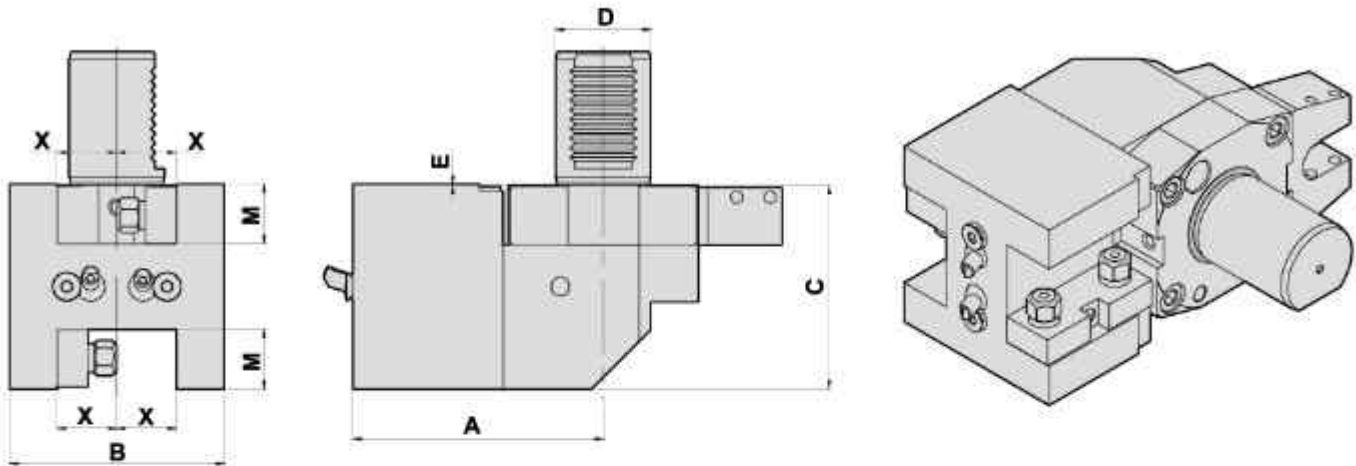
● External coolant supply

Models	D	A	B	C	X	M	Code No.	Order No.	(Kg) Weight
LB300	40	100	90	45	25	25	406015-000	OD40-BS-C25-100-L	3.9

TURNING HOLDER

TYPE OKUMA

外徑刀座



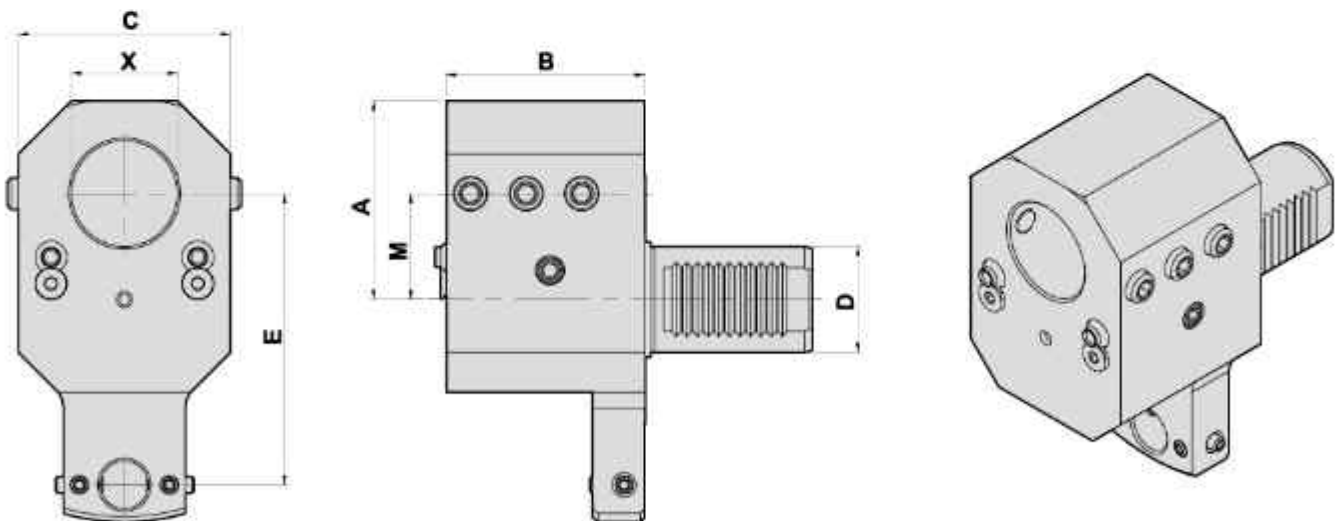
DIMENSIONS

• External coolant supply

Models	D	A	B	C	E	X	M	Code No.	Order No.	(Kg) Weight
LB300	40	105	90	85.5	0.5	25	25	406016-000	OD40-ES-C25x2	6.7

BORING BAR HOLDER

內孔刀座



DIMENSIONS

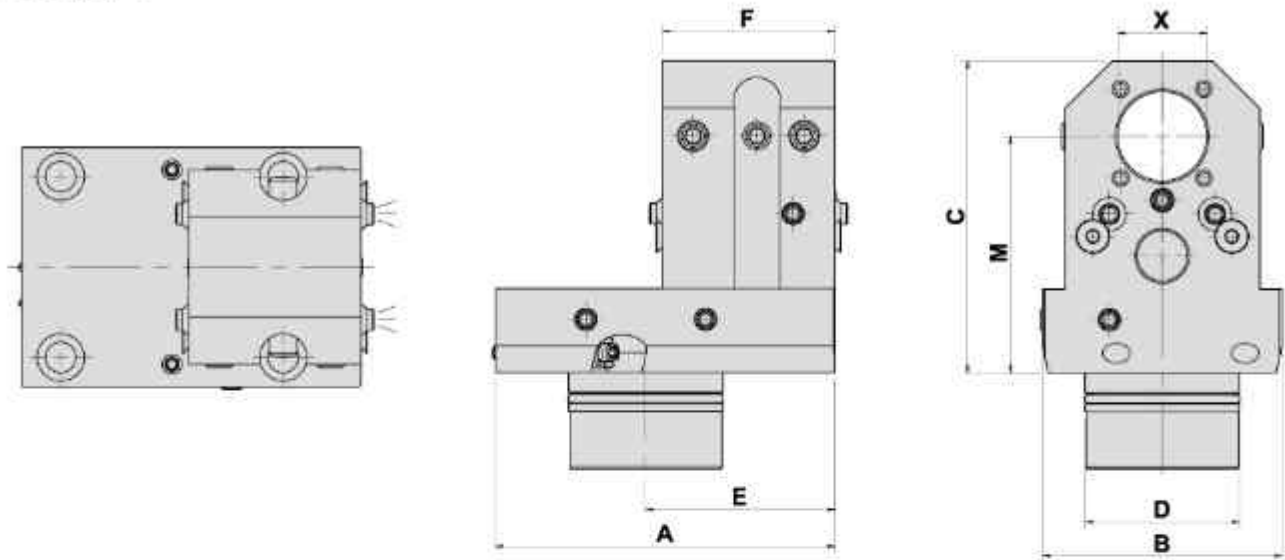
• External coolant supply

Models	D	A	B	C	E	X	M	Code No.	Order No.	(Kg) Weight
LB300	40	75	75	80	110	1.5"(inch)	40	3H1012-000	ID40-AS-B38.1-40	5
LB300	40	75	75	80	110	40(mm)	40	308012-000	ID40-AS-B40-40	5

BORING BAR HOLDER

TYPE OKUMA

内孔刀座

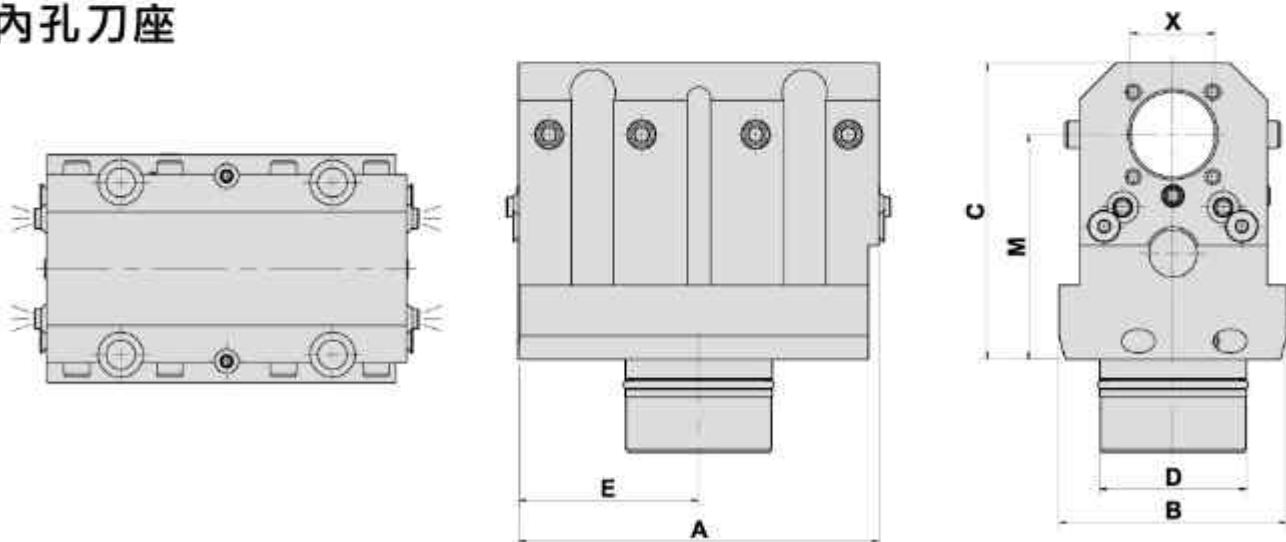


DIMENSIONS

● Internal, External coolant supply 内外部出水

Models	D	A	B	C	E	F	M	X	Code No.	Order No.	(Kg) Weight
LT2000EX-16D	55.4	122	86	112	68	62	85	32	307018-000	OK-ID-H32-85-S	4.7
LT2000EX-12D	60.4	125	95	138	68	62	110	32	30701A-000	OK-LT2000-60.4-B32-110-S	6

BORING BAR HOLDER 内孔刀座



DIMENSIONS

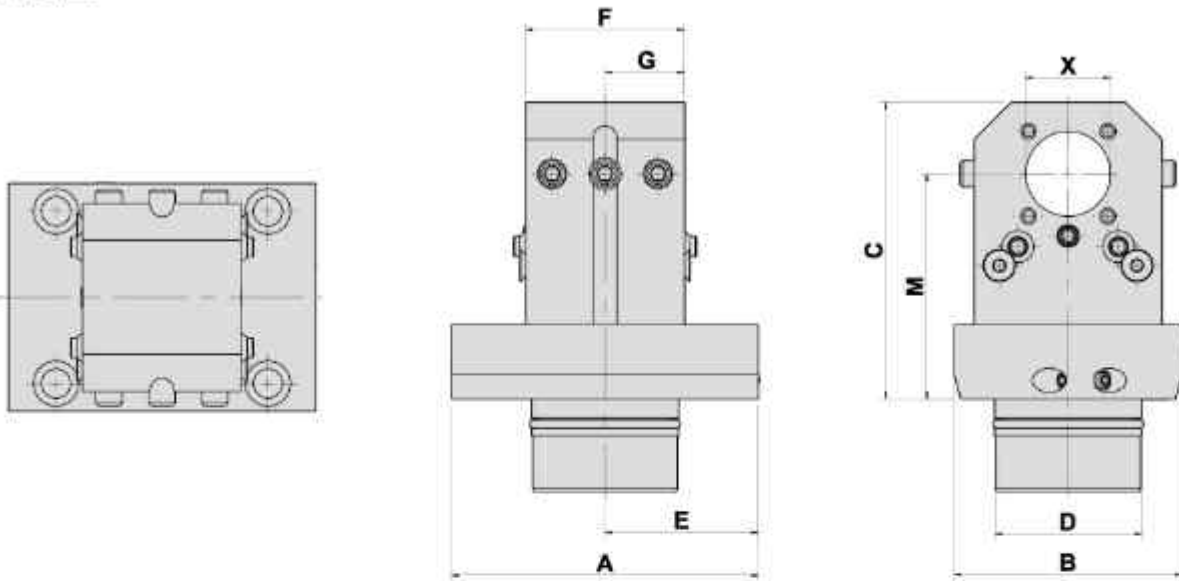
● Internal, External coolant supply 内外部出水

Models	D	A	B	C	E	M	X	Code No.	Order No.	(Kg) Weight
LT2000EX-16D	55.4	136	86	112	68	85	32	307019-000	OK-ID-H32-85	7.3
LT2000EX-12D	60.4	136	95	138	68	110	32	30701B-000	OK-LT2000-60.4-B32-110	9.4

BORING BAR HOLDER

TYPE OKUMA

内孔刀座



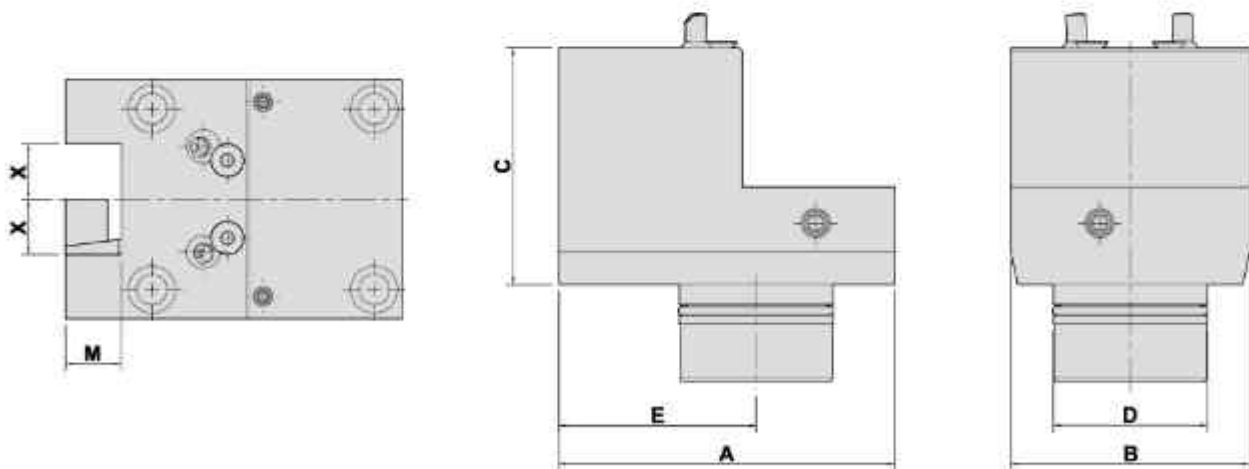
DIMENSIONS

● Internal, External coolant supply 内外部出水

Models	D	A	B	C	E	F	G	M	X	Code No.	Order No.	(Kg) Weight
LT2000EX-16D	55.4	116	86	112	58	60	30	85	32	307020-000	OK-ID-H32-85-SS	4.7

TURNING HOLDER

外徑刀座



DIMENSIONS

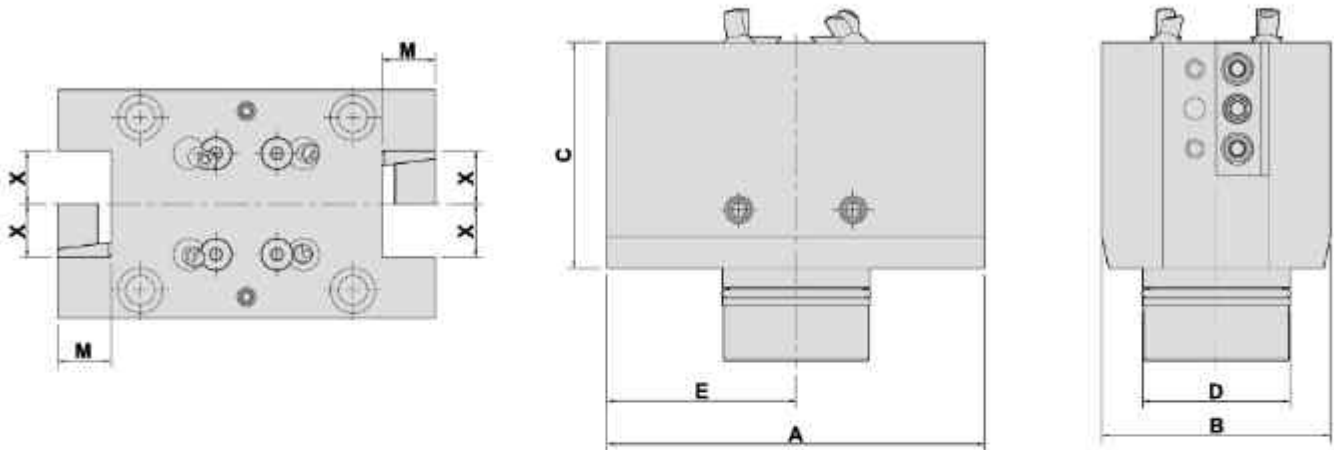
● External coolant supply 外部出水

Models	D	A	B	C	E	M	X	Code No.	Order No.	(Kg) Weight
LT2000EX-16D	55.4	121	86	85	71	20	20	40501F-000	OK-OD-I-S-20	4.7
LT2000EX-16D	55.4	121	86	65	71	20	20	40501H-000	OK-OD-I-S-20-65	4
LT2000EX-12D	60.4	121	95	70	71	20	25	406020-000	OK-LT2000-60.4-C25-70	4.6

DOUBLE SIDE TWIN TURNING HOLDER

TYPE OKUMA

雙側雙外徑刀座

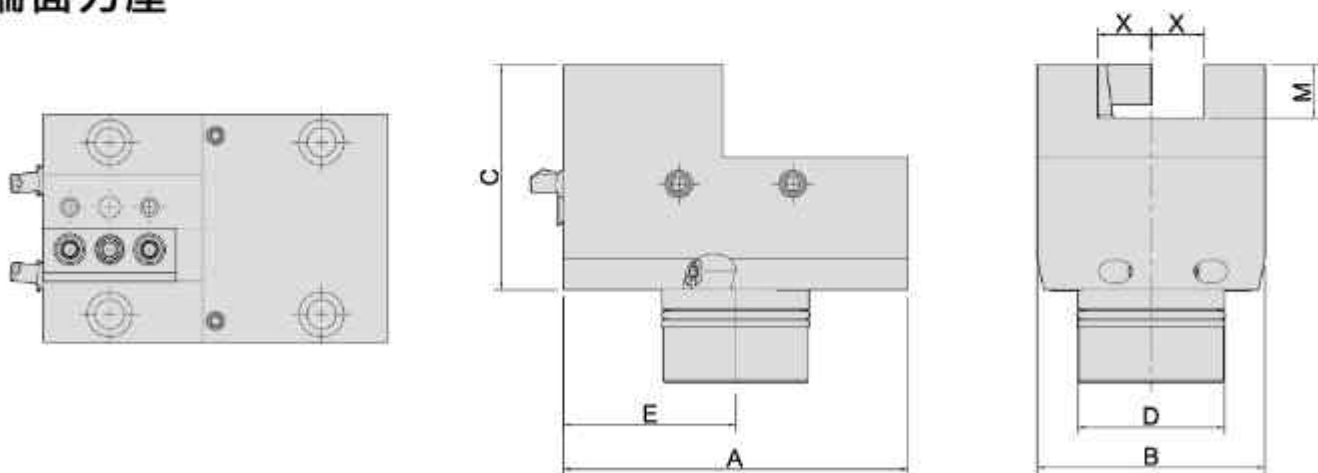


DIMENSIONS

● External coolant supply 外部出水

Models	D	A	B	C	E	M	X	Code No.	Order No.	(Kg) Weight
LT2000EX-16D	55.4	142	86	85	71	20	20	40501G-000	OK-OD-I-D-20x2	7.2
LT2000EX-12D	60.4	142	95	70	71	20	25	40601A-000	OK-LT2000-60.4-C25x2-70	6.6

FACING HOLDER 端面刀座



DIMENSIONS

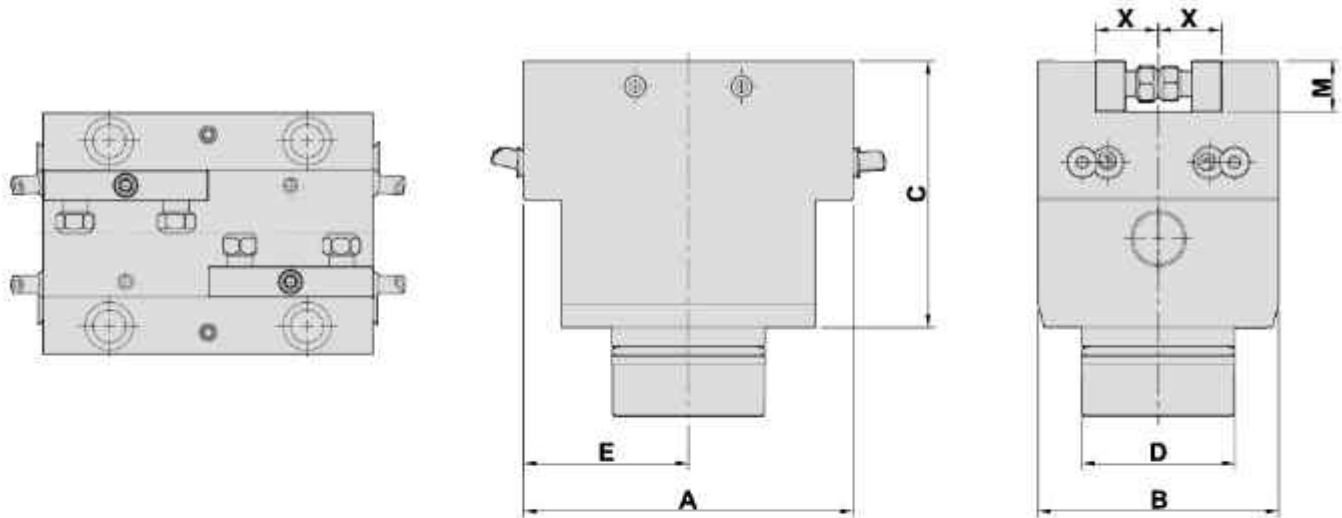
● External coolant supply 外部出水

Models	D	A	B	C	E	M	X	Code No.	Order No.	(Kg) Weight
LT2000EX-16D	55.4	130	86	85	65	20	20	505016-000	OK-OD-I-20-85	5.4

DOUBLE SIDE TWIN FACING HOLDER

TYPE OKUMA

雙側雙端面刀座

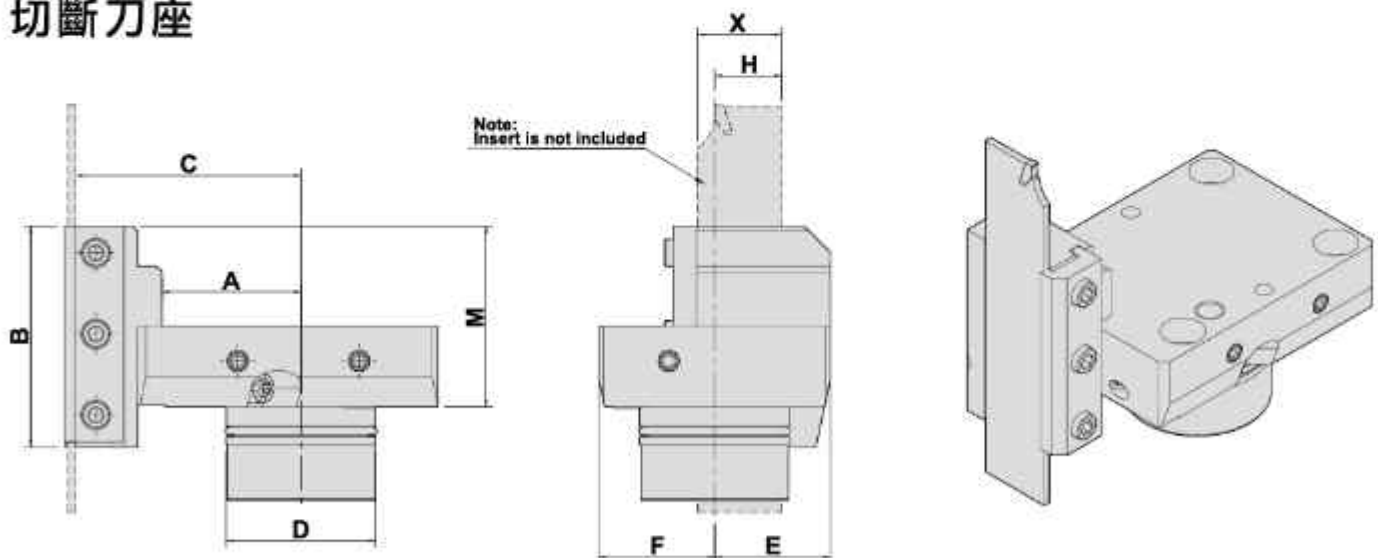


DIMENSIONS

• External coolant supply 外部出水

Models	D	A	B	C	E	M	X	Code No.	Order No.	(Kg) Weight
LT2000EX-16D	55.4	130	86	85	65	20	20	505015-000	OK-OD-II-20x2	6.7
LT2000EX-12D	60.4	130	95	105	65	20	25	506015-000	OK-LT2000-60.4-F25x2-105	7.8

CUTTING HOLDER 切斷刀座



DIMENSIONS

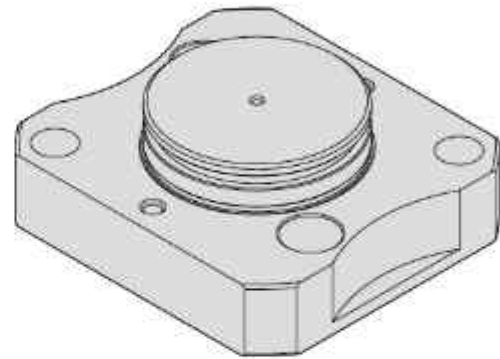
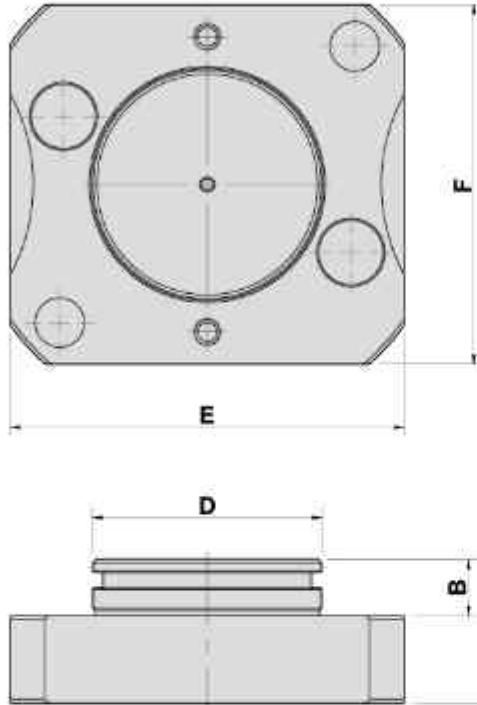
• External coolant supply 外部出水

Models	D	A	B	C	E	F	X	H	M	Code No.	Order No.	(Kg) Weight
LT2000EX-16D	55.4	51.5	82	83.5	43	43	32	25	67	706013-000	OK-LT2000EX-R25-67	3.5

PLUG

TYPE OKUMA

保孔蓋



DIMENSIONS

● External coolant supply 外部出水

Models	D	A	B	E	F	Code No.	Order No.	(Kg) Weight
LT2000EX-16D	55.4	38	15	100	82	Z5540S-116	OK-LT2000EX-16D-PLUG	1.7
LT2000EX-12D	60.4	38	15	104	95	Z6040S-116	OK-LT2000EX-12D-PLUG	1.9